

DC INDUCTIVE PROXIMITY SWITCH SQUARE TYPE

Q 6	
●	
1.5 mm	
PBT RESIN	
●	
10-30VDC	
<10%	
<10mA	
200mA	
<0.01mA	
-	
-	
<1.5V	
500HZ	
0.5ms/0.5ms	
<15%(Sr)	
<1.0%(Sr)	
IP67	
-25 °C - +70 °C	
<10%(Sr)	
YES	
220mA	
<10ms	
RFI>3V/m / EFT>1KV / ESD>4KV (contact)	
IEC 60947-5-2,Part 7.4.1 / IEC 60947-5-2,Part 7.4.2	
PBT	
FQP1-061.5N-A3U2T	1
FQP1-061.5N-B3U2T	2
FQP1-061.5P-A3U2T	3
FQP1-061.5P-B3U2T	4
FQP1-061.5C-A2U2T	7
FQP1-061.5C-B2U2T	8
3φ3x0.15	
Approx.55 g	

Q 6.5		
●		○
1.5 mm	2 mm	
PBT RESIN		
●		
10-30VDC		
<10%		
<10mA		
200mA		
<0.01mA		
-		
-		
<1.5V		
500HZ		
0.5ms/0.5ms		
<15%(Sr)		
<1.0%(Sr)		
IP67		
-25 °C - +70 °C		
<10%(Sr)		
YES		
220mA		
<10ms		
RFI>3V/m / EFT>1KV / ESD>4KV (contact)		
IEC 60947-5-2,Part 7.4.1 / IEC 60947-5-2,Part 7.4.2		
PBT		
FQP1-6.51.5N-A3U2	1	FQP2-6.502N-A3U2
FQP1-6.51.5N-B3U2	2	FQP2-6.502N-B3U2
FQP1-6.51.5P-A3U2	3	FQP2-6.502P-A3U2
FQP1-6.51.5P-B3U2	4	FQP2-6.502P-B3U2
FQP1-6.51.5C-A2U2	7	FQP2-6.502C-A2U2
FQP1-6.51.5C-B2U2	8	FQP2-6.502C-B2U2
3φ3x0.15		
Approx.80 g		

Please see Page 18 for details and specifications of DC 2-Wire models on this page.

Q 14	
●	
10 mm	
PBT RESIN	
●	
10-30VDC	
<10%	
<10mA	
200mA	
<0.01mA	
-	
-	
<1.5V	
500HZ	
0.5ms/0.5ms	
<15%(Sr)	
<1.0%(Sr)	
IP67	
-25 °C - +70 °C	
<10%(Sr)	
YES	
220mA	
<10ms	
RFI>3V/m / EFT>1KV / ESD>4KV (contact)	
IEC 60947-5-2,Part 7.4.1 / IEC 60947-5-2,Part 7.4.2	
PBT	
FQP1-1410N-A3U2T	1
FQP1-1410N-B3U2T	2
FQP1-1410P-A3U2T	3
FQP1-1410P-B3U2T	4
FQP1-1410C-A2U2T	7
FQP1-1410C-B2U2T	8
4φ3x0.15	
Approx.110 g	

Note:

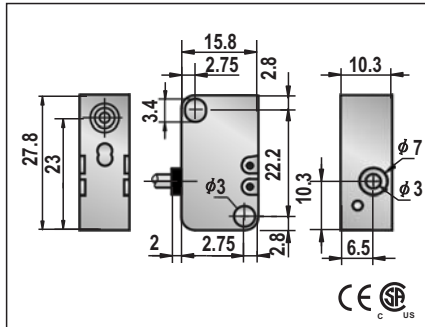
Coming Soon : Part numbers with underline
 In Preparation: Part numbers with a line through the middle

Q16x28x10、Q16

DC INDUCTIVE PROXIMITY SWITCH SQUARE TYPE

DC INDUCTIVE PROXIMITY SWITCH SQUARE TYPE

Q16x28x10	
●	○
1 mm	2 mm
PBT RESIN	
●	

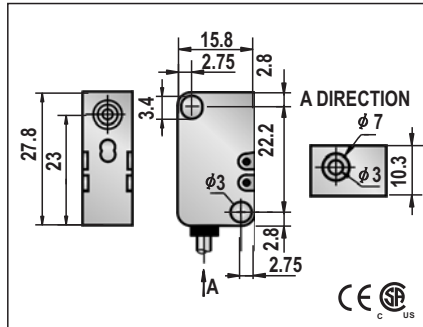


10-30VDC
<10%
<10mA
200mA
<0.01mA
-
-
<1.5V
2KHZ
0.1ms/0.1ms
<15%(Sr)
<1.0%(Sr)
IP67
-25 °C - +70 °C
<10%(Sr)
YES
220mA
<10ms
RFI>3V/m / EFT>1KV / ESD>4KV (contact)
IEC 60947-5-2,Part 7.4.1 / IEC 60947-5-2,Part 7.4.2

FQP1-Q2801N-A3U2X	1	FQP2-Q2802N-A3U2X
FQP1-Q2801N-B3U2X	2	FQP2-Q2802N-B3U2X
FQP1-Q2801P-A3U2X	3	FQP2-Q2802P-A3U2X
FQP1-Q2801P-B3U2X	4	FQP2-Q2802P-B3U2X
FQP1-Q2801C-A2U2X	7	FQP2-Q2802C-A2U2X
FQP1-Q2801C-B2U2X	8	FQP2-Q2802C-B2U2X

3 φ 3x0.15
Approx.55 g

Q16x28x10	
●	○
1 mm	2 mm
PBT RESIN	
●	



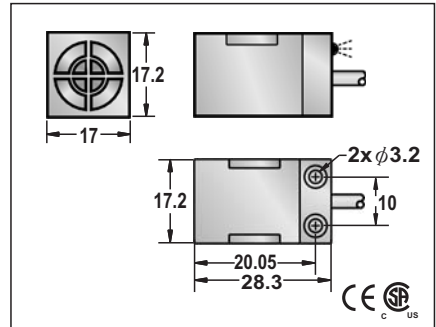
10-30VDC
<10%
<10mA
200mA
<0.01mA
-
-
<1.5V
2KHZ
0.1ms/0.1ms
<15%(Sr)
<1.0%(Sr)
IP67
-25 °C - +70 °C
<10%(Sr)
YES
220mA
<10ms
RFI>3V/m / EFT>1KV / ESD>4KV (contact)
IEC 60947-5-2,Part 7.4.1 / IEC 60947-5-2,Part 7.4.2

FQP1-2801N-A3U2	1	FQP2-2802N-A3U2
FQP1-2801N-B3U2	2	FQP2-2802N-B3U2
FQP1-2801P-A3U2	3	FQP2-2802P-A3U2
FQP1-2801P-B3U2	4	FQP2-2802P-B3U2
FQP1-2801C-A2U2	7	FQP2-2802C-A2U2
FQP1-2801C-B2U2	8	FQP2-2802C-B2U2

Please see Page 18 for details and specifications of DC 2-Wire models on this page.

3 φ 3x0.15
Approx.55 g

Q 16	
○	
4 mm	
ABS RESIN	
●	



10-30VDC
<10%
<10mA
200mA
<0.01mA
-
-
<1.5V
500HZ
0.5ms/0.5ms
<15%(Sr)
<1.0%(Sr)
IP67
-25 °C - +70 °C
<10%(Sr)
YES
220mA
<10ms
RFI>3V/m / EFT>1KV / ESD>4KV (contact)
IEC 60947-5-2,Part 7.4.1 / IEC 60947-5-2,Part 7.4.2

FQP2-1604N-A3U2	1
FQP2-1604N-B3U2	2
FQP2-1604P-A3U2	3
FQP2-1604P-B3U2	4
FQP2-1604C-A2U2	7
FQP2-1604C-B2U2	8

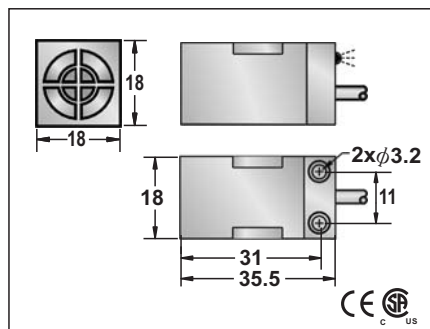
4 φ 3x0.15
Approx.55 g

Q18、Q18B、Q18C

DC INDUCTIVE PROXIMITY SWITCH SQUARE TYPE

DC INDUCTIVE PROXIMITY SWITCH SQUARE TYPE

Q 18
○
4 mm
ABS RESIN
●



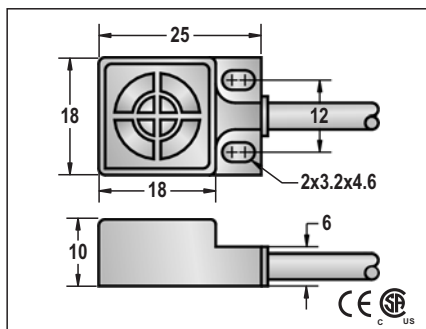
10-30VDC or 10-55VDC
<10%
<10mA or 20mA
200mA
<0.01mA
-
-
<1.5V or <2.0V
500HZ
0.5ms/0.5ms
<15%(Sr)
<1.0%(Sr)
IP67
-25 °C - +70 °C
<10%(Sr)
YES
220mA
<10ms
RFI>3V/m / EFT>1KV / ESD>4KV (contact)
IEC 60947-5-2,Part 7.4.1 / IEC 60947-5-2,Part 7.4.2
ABS

FQP2-1804N-A3U2	1
FQP2-1804N-B3U2	2
FQP2-1804P-A3U2	3
FQP2-1804P-B3U2	4
FQP2-1804C-A2U2	7
FQP2-1804C-B2U2	8
HQP2-1804N-A3U2	1
HQP2-1804N-B3U2	2
HQP2-1804P-A3U2	3
HQP2-1804P-B3U2	4

1. Voltage Drop:<1.5V(10-30V),<2V(10-55V).
2. 10-55V type: No Load Current < 20mA.
3. Please see Page 18 for details and specifications of DC 2-Wire models on this page.

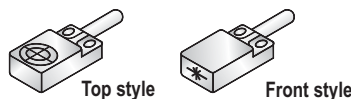
4 φ 3x0.15
Approx.58 g

Q 18B
○
2 mm
POM RESIN
●



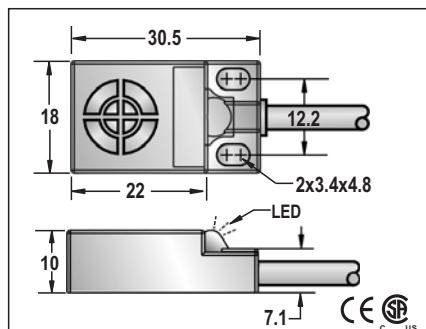
10-30VDC
<10%
<10mA
200mA
<0.01mA
-
-
<1.5V
500HZ
0.5ms/0.5ms
<15%(Sr)
<1.0%(Sr)
IP67
-25 °C - +70 °C
<10%(Sr)
YES
220mA
<10ms
RFI>3V/m / EFT>1KV / ESD>4KV (contact)
IEC 60947-5-2,Part 7.4.1 / IEC 60947-5-2,Part 7.4.2
POM

FQP2-18B02N-A3U2T	1	FQP2-18B02N-A3U2F
FQP2-18B02N-B3U2T	2	FQP2-18B02N-B3U2F
FQP2-18B02P-A3U2T	3	FQP2-18B02P-A3U2F
FQP2-18B02P-B3U2T	4	FQP2-18B02P-B3U2F
FQP2-18B02C-A2U2T	7	FQP2-18B02C-A2U2F
FQP2-18B02C-B2U2T	8	FQP2-18B02C-B2U2F



4 φ 3x0.15
Approx.46 g

Q 18C
●
4 mm
POM RESIN
●



10-30VDC or 10-55VDC
<10%
<10mA or <20mA
200mA
<0.01mA
-
-
<1.5V or 2.0V
500HZ
0.5ms/0.5ms
<15%(Sr)
<1.0%(Sr)
IP67
-25 °C - +70 °C
<10%(Sr)
YES
220mA
<10ms
RFI>3V/m / EFT>1KV / ESD>4KV (contact)
IEC 60947-5-2,Part 7.4.1 / IEC 60947-5-2,Part 7.4.2
POM

FQP2-18C04N-A3U2T	1
FQP2-18C04N-B3U2T	2
FQP2-18C04P-A3U2T	3
FQP2-18C04P-B3U2T	4
FQP2-18C04C-A2U2T	7
FQP2-18C04C-B2U2T	8
HQP2-18C04N-A3U2T	1
HQP2-18C04N-B3U2T	2
HQP2-18C04P-A3U2T	3
HQP2-18C04P-B3U2T	4



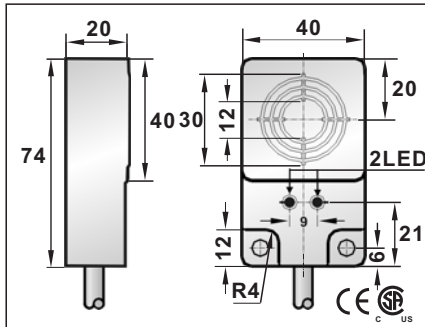
4 φ 3x0.15
Approx.51 g

Note:

Coming Soon : Part numbers with underline
In Preparation: Part numbers with a line through the middle

DC INDUCTIVE PROXIMITY SWITCH SQUARE TYPE

Q 42
●
20 mm
PBT RESIN
●



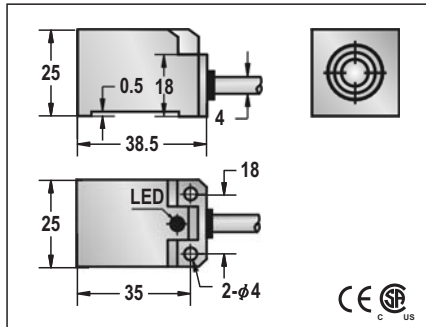
10-30VDC
<10%
<10mA
200mA
<0.01mA
-
-
<1.5V
500HZ
0.5ms/0.5ms
<15%(Sr)
<1.0%(Sr)
IP67
-25 °C - +70 °C
<10%(Sr)
YES
220mA
<10ms
RFI>3V/m / EFT>1KV / ESD>4KV (contact)
IEC 60947-5-2,Part 7.4.1 / IEC 60947-5-2,Part 7.4.2
PBT

FQP1-2020N-A3U2T	1
FQP1-2020N-B3U2T	2
FQP1-2020P-A3U2T	3
FQP1-2020P-B3U2T	4

Please see Page 18 for details and specifications of DC 2-Wire models on this page.

4 φ 3x0.15
Approx.130 g

Q25s
●
10 mm
PBT RESIN
●



10-30VDC or 10-55VDC
<10%
<10mA or <20mA
200mA
<0.01mA
-
-
<1.5V or 2.0V
300HZ
0.5ms/0.5ms
<15%(Sr)
<1.0%(Sr)
IP67
-25 °C - +70 °C
<10%(Sr)
YES
220mA
<10ms
RFI>3V/m / EFT>1KV / ESD>4KV (contact)
IEC 60947-5-2,Part 7.4.1 / IEC 60947-5-2,Part 7.4.2
-

FQP1-2510N-A3S2F	1
FQP1-2510N-B3S2F	2
FQP1-2510P-A3S2F	3
FQP1-2510P-B3S2F	4
<u>FQP1-2510P-S4S2F</u>	6
FQP1-2510N-S4S2F	5
FQP1-2510C-A2S2F	7
FQP1-2510C-B2S2F	8
HQP1-2510N-A3S2F	1
HQP1-2510N-B3S2F	2
HQP1-2510P-A3S2F	3
HQP1-2510P-B3S2F	4

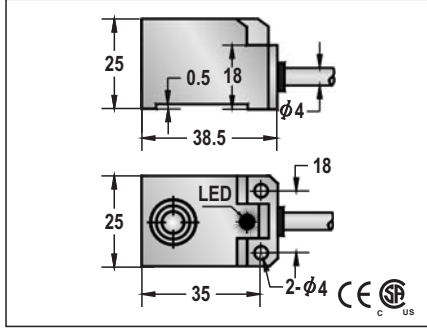
1. Voltage Drop:<1.5V(10-30V),<2V(10-55V).
2. 10-55V type: No Load Current < 20mA.

4 φ 3x0.34
Approx.110 g

Note:
Coming Soon : Part numbers with underline

DC INDUCTIVE PROXIMITY SWITCH SQUARE TYPE

Q25s
●
10 mm
PBT RESIN
●



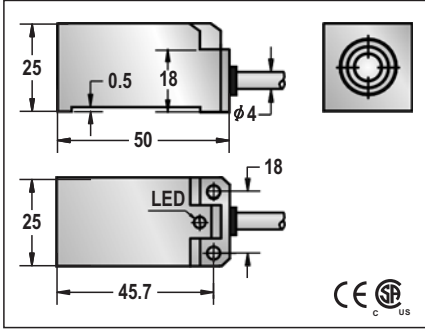
10-30VDC or 10-55VDC
<10%
<10mA or <20mA
200mA
<0.01mA
-
<1.5V or <2.0V
300HZ
0.5ms/0.5ms
<15%(Sr)
<1.0%(Sr)
IP67
-25°C - +75°C
<10%(Sr)
YES
220mA
<10ms
RFI>3V/m / EFT>1KV / ESD>4KV (contact)
IEC 60947-5-2,Part 7.4.1 / IEC 60947-5-2,Part 7.4.2
PBT

<u>FQP1-2510N-A3S2T</u>	1
<u>FQP1-2510N-B3S2T</u>	2
<u>FQP1-2510P-A3S2T</u>	3
<u>FQP1-2510P-B3S2T</u>	4
<u>FQP1-2510P-S4S2T</u>	6
<u>FQP1-2510N-S4S2T</u>	5
<u>FQP1-2510C-A2S2T</u>	7
<u>FQP1-2510C-B2S2T</u>	8
<u>HQP1-2510N-A3S2T</u>	1
<u>HQP1-2510N-B3S2T</u>	2
<u>HQP1-2510P-A3S2T</u>	3
<u>HQP1-2510P-B3S2T</u>	4

1. Voltage Drop:<1.5V(10-30V),<2V(10-55V).
2. 10-55V type: No Load Current < 20mA.

4 φ 3x0.34
Approx.110 g

Q25
●
10 mm
PBT RESIN
●



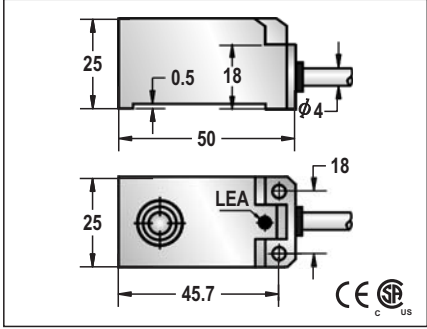
10-30VDC or 10-55VDC
<10%
<10mA or <20mA
200mA
<0.01mA
-
<1.5V or <2.0V
300HZ
0.5ms/0.5ms
<15%(Sr)
<1.0%(Sr)
IP67
-25°C - +70°C
<10%(Sr)
YES
220mA
<10ms
RFI>3V/m / EFT>1KV / ESD>4KV (contact)
IEC 60947-5-2,Part 7.4.1 / IEC 60947-5-2,Part 7.4.2
PBT

<u>FQP1-2510N-A3U2F</u>	1
<u>FQP1-2510N-B3U2F</u>	2
<u>FQP1-2510P-A3U2F</u>	3
<u>FQP1-2510P-B3U2F</u>	4
<u>FQP1-2510P-S4U2F</u>	6
<u>FQP1-2510N-S4U2F</u>	5
<u>FQP1-2510C-A2U2F</u>	7
<u>FQP1-2510C-B2U2F</u>	8
<u>HQP1-2510N-A3U2F</u>	1
<u>HQP1-2510N-B3U2F</u>	2
<u>HQP1-2510P-A3U2F</u>	3
<u>HQP1-2510P-B3U2F</u>	4

Please see Page 18 for details and specifications of DC 2-Wire models on this page.

4 φ 3x0.34
Approx.110 g

Q25
●
10 mm
PBT RESIN
●



10-30VDC or 10-55VDC
<10%
<10mA or <20mA
200mA
<0.01mA
-
<1.5V or <2.0V
300HZ
0.5ms/0.5ms
<15%(Sr)
<1.0%(Sr)
IP67
-25°C - +75°C
<10%(Sr)
YES
220mA
<10ms
RFI>3V/m / EFT>1KV / ESD>4KV (contact)
IEC 60947-5-2,Part 7.4.1 / IEC 60947-5-2,Part 7.4.2
PBT

<u>FQP1-2510N-A3U2T</u>	1
<u>FQP1-2510N-B3U2T</u>	2
<u>FQP1-2510P-A3U2T</u>	3
<u>FQP1-2510P-B3U2T</u>	4
<u>FQP1-2510P-S4U2T</u>	6
<u>FQP1-2510N-S4U2T</u>	5
<u>FQP1-2510C-A2U2T</u>	7
<u>FQP1-2510C-B2U2T</u>	8
<u>HQP1-2510N-A3U2T</u>	1
<u>HQP1-2510N-B3U2T</u>	2
<u>HQP1-2510P-A3U2T</u>	3
<u>HQP1-2510P-B3U2T</u>	4

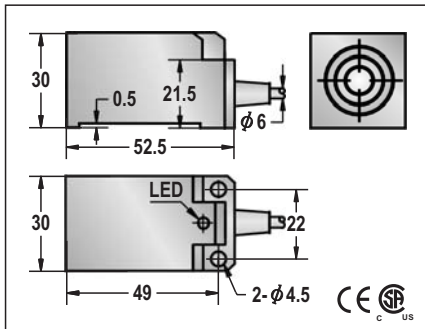
4 φ 3x0.34
Approx.120 g

Note:
Coming Soon : Part numbers with underline

DC INDUCTIVE PROXIMITY SWITCH SQUARE TYPE

DC INDUCTIVE PROXIMITY SWITCH SQUARE TYPE

Q30	
●	○
10 mm	15 mm
PBT RESIN	
●	



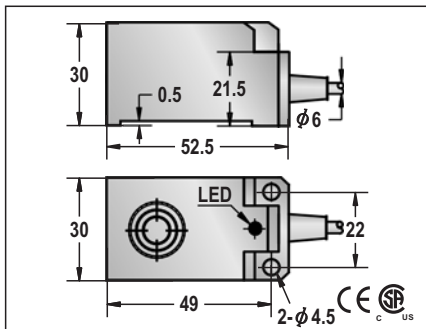
10-30VDC or 10-55VDC
<10%
<10mA or <20mA
200mA
<0.01mA
-
<1.5V or <2.0V
100HZ
1ms/1ms
<15%(Sr)
<1.0%(Sr)
IP67
-25 °C - +70 °C
<10%(Sr)
YES
220mA
<10ms
RFI>3V/m / EFT>1KV / ESD>4KV (contact)
IEC 60947-5-2,Part 7.4.1 / IEC 60947-5-2,Part 7.4.2
PBT

FQP1-3010N-A3U2F	1	FQP2-3015N-A3U2F
FQP1-3010N-B3U2F	2	FQP2-3015N-B3U2F
FQP1-3010P-A3U2F	3	FQP2-3015P-A3U2F
FQP1-3010P-B3U2F	4	FQP2-3015P-B3U2F
FQP1-3010P-S4U2F	6	FQP2-3015P-S4U2F
FQP1-3010N-S4U2F	5	FQP2-3015N-S4U2F
FQP1-3010C-A2U2F	7	FQP2-3015C-A2U2F
FQP1-3010C-B2U2F	8	FQP2-3015C-B2U2F
HQP1-3010N-A3U2F	1	HQP2-3015N-A3U2F
HQP1-3010N-B3U2F	2	HQP2-3015N-B3U2F
HQP1-3010P-A3U2F	3	HQP2-3015P-A3U2F
HQP1-3010P-B3U2F	4	HQP2-3015P-B3U2F

1. Voltage Drop: <1.5V(10-30V), <2V(10-55V).
 2. 10-55V type: No Load Current < 20mA.

5.8φ 3x0.5
Approx. 155 g

Q30	
●	○
10 mm	15 mm
PBT RESIN	
●	



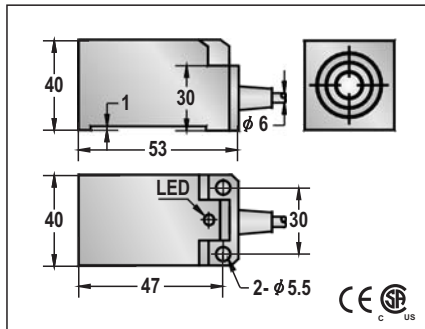
10-30VDC or 10-55VDC
<10%
<10mA or <20mA
200mA
<0.01mA
-
<1.5V or <2.0V
100HZ
1ms/1ms
<15%(Sr)
<1.0%(Sr)
IP67
-25 °C - +75 °C
<10%(Sr)
YES
220mA
<10ms
RFI>3V/m / EFT>1KV / ESD>4KV (contact)
IEC 60947-5-2,Part 7.4.1 / IEC 60947-5-2,Part 7.4.2
PBT

FQP1-3010N-A3U2T	1	FQP2-3015N-A3U2T
FQP1-3010N-B3U2T	2	FQP2-3015N-B3U2T
FQP1-3010P-A3U2T	3	FQP2-3015P-A3U2T
FQP1-3010P-B3U2T	4	FQP2-3015P-B3U2T
FQP1-3010P-S4U2T	6	FQP2-3015P-S4U2T
FQP1-3010N-S4U2T	5	FQP2-3015N-S4U2T
FQP1-3010C-A2U2T	7	FQP2-3015C-A2U2T
FQP1-3010C-B2U2T	8	FQP2-3015C-B2U2T
HQP1-3010N-A3U2T	1	HQP2-3015N-A3U2T
HQP1-3010N-B3U2T	2	HQP2-3015N-B3U2T
HQP1-3010P-A3U2T	3	HQP2-3015P-A3U2T
HQP1-3010P-B3U2T	4	HQP2-3015P-B3U2T

Please see Page 18 for details and specifications of DC 2-Wire models on this page.

5.8φ 3x0.5
Approx. 155 g

Q40	
●	○
15 mm	30 mm
PBT RESIN	
●	



10-30VDC or 10-55VDC
<10%
<10mA or <20mA
200mA
<0.01mA
-
<1.5V or <2.0V
100HZ
1ms/1ms
<15%(Sr)
<1.0%(Sr)
IP67
-25 °C - +70 °C
<10%(Sr)
YES
220mA
<10ms
RFI>3V/m / EFT>1KV / ESD>4KV (contact)
IEC 60947-5-2,Part 7.4.1 / IEC 60947-5-2,Part 7.4.2
PBT

FQP1-4515N-A3U2F	1	FQP2-4530N-A3U2F
FQP1-4515N-B3U2F	2	FQP2-4530N-B3U2F
FQP1-4515P-A3U2F	3	FQP2-4530P-A3U2F
FQP1-4515P-B3U2F	4	FQP2-4530P-B3U2F
FQP1-4515P-S4U2F	6	FQP2-4530P-S4U2F
FQP1-4515N-S4U2F	5	FQP2-4530N-S4U2F
FQP1-4515C-A2U2F	7	FQP2-4530C-A2U2F
FQP1-4515C-B2U2F	8	FQP2-4530C-B2U2F
HQP1-4515N-A3U2F	1	HQP2-4530N-A3U2F
HQP1-4515N-B3U2F	2	HQP2-4530N-B3U2F
HQP1-4515P-A3U2F	3	HQP2-4530P-A3U2F
HQP1-4515P-B3U2F	4	HQP2-4530P-B3U2F

5.8φ 3x0.5
Approx. 190 g

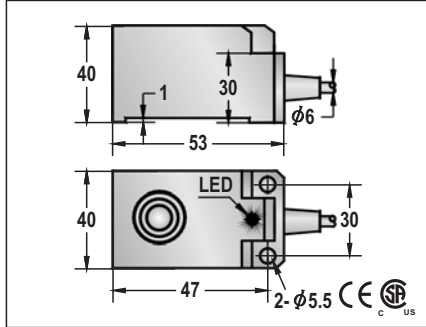
Note:
 Coming Soon : Part numbers with underline
 In Preparation: Part numbers with a line through the middle

Q40、Q25x40x12、Q30x45x12

DC INDUCTIVE PROXIMITY SWITCH SQUARE TYPE

DC INDUCTIVE PROXIMITY SWITCH SQUARE TYPE

Q40	
●	○
15 mm	30 mm
PBT RESIN	
●	

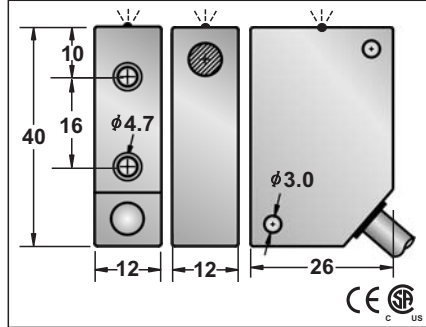


10-30VDC or 10-55VDC	
<10%	
<10mA	or <20mA
200mA	
<0.01mA	
-	
-	
<1.5V	or <2.0V
100HZ	
1ms/1ms	
<15%(Sr)	
<1.0%(Sr)	
IP67	
-25 °C - +70 °C	
<10%(Sr)	
YES	
220mA	
<10ms	
RFI>3V/m / EFT>1KV / ESD>4KV (contact)	
IEC 60947-5-2,Part 7.4.1 / IEC 60947-5-2,Part 7.4.2	
PBT	

FQP1-4515N-A3U2T	1	FQP2-4530N-A3U2T
FQP1-4515N-B3U2T	2	FQP2-4530N-B3U2T
FQP1-4515P-A3U2T	3	FQP2-4530P-A3U2T
FQP1-4515P-B3U2T	4	FQP2-4530P-B3U2T
FQP1-4515P-S4U2T	6	FQP2-4530P-S4U2T
<u>FQP1-4515N-S4U2T</u>	5	<u>FQP2-4530N-S4U2T</u>
FQP1-4515C-A2U2T	7	FQP2-4530C-A2U2T
FQP1-4515C-B2U2T	8	FQP2-4530C-B2U2T
HQP1-4515N-A3U2T	1	HQP2-4530N-A3U2T
HQP1-4515N-B3U2T	2	HQP2-4530N-B3U2T
HQP1-4515P-A3U2T	3	HQP2-4530P-A3U2T
HQP1-4515P-B3U2T	4	HQP2-4530P-B3U2T

1. Voltage Drop:<1.5V(10-30V),<2V(10-55V).
2. 10-55V type: No Load Current < 20mA.
5.8 φ 3x0.5
Approx.190 g

Q25x40x12	
●	○
2 mm	4 mm
PBT RESIN	
●	

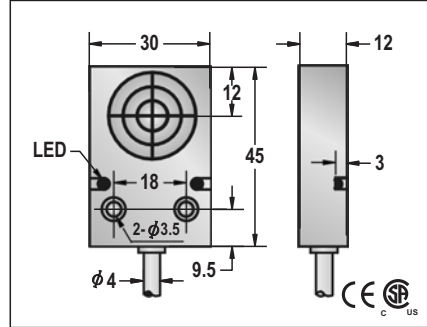


10-30VDC or 10-55VDC	
<10%	
<10mA	or <20mA
200mA	
<0.01mA	
-	
-	
<1.5V	or <2.0V
300HZ	
100HZ	
0.5ms/0.5ms	
1ms/1ms	
<15%(Sr)	
<1.0%(Sr)	
IP67	
-25 °C - +70 °C	
<10%(Sr)	
YES	
220mA	
<10ms	
RFI>3V/m / EFT>1KV / ESD>4KV (contact)	
IEC 60947-5-2,Part 7.4.1 / IEC 60947-5-2,Part 7.4.2	
PBT	

FQP1-4002N-A3U2	1	FQP2-4004N-A3U2
FQP1-4002N-B3U2	2	FQP2-4004N-B3U2
FQP1-4002P-A3U2	3	FQP2-4004P-A3U2
FQP1-4002P-B3U2	4	FQP2-4004P-B3U2
FQP1-4002P-S4U2	6	FQP2-4004P-S4U2
FQP1-4002N-S4U2	5	FQP2-4004N-S4U2
FQP1-4002C-A2U2	7	FQP2-4004C-A2U2
FQP1-4002C-B2U2	8	FQP2-4004C-B2U2
HQP1-4002N-A3U2	1	HQP2-4004N-A3U2
HQP1-4002N-B3U2	2	HQP2-4004N-B3U2
HQP1-4002P-A3U2	3	HQP2-4004P-A3U2
HQP1-4002P-B3U2	4	HQP2-4004P-B3U2

Please see Page 18 for details and specifications of DC 2-Wire models on this page.
4.0 φ 3x0.15
Approx.133 g

Q30x45x12	
●	○
10 mm	15 mm
PBT RESIN	
●	



10-30VDC or 10-55VDC	
<10%	
<10mA	or <20mA
200mA	
<0.01mA	
-	
-	
<1.5V	or <2.0V
100HZ	
1ms/1ms	
<15%(Sr)	
<1.0%(Sr)	
IP67	
-25 °C - +70 °C	
<10%(Sr)	
YES	
220mA	
<10ms	
RFI>3V/m / EFT>1KV / ESD>4KV (contact)	
IEC 60947-5-2,Part 7.4.1 / IEC 60947-5-2,Part 7.4.2	
PBT	

FQP1-3110N-A3U2T	1	FQP2-3115N-A3U2T
FQP1-3110N-B3U2T	2	FQP2-3115N-B3U2T
FQP1-3110P-A3U2T	3	FQP2-3115P-A3U2T
FQP1-3110P-B3U2T	4	FQP2-3115P-B3U2T
FQP1-3110P-S4U2T	6	FQP2-3115P-S4U2T
<u>FQP1-3110N-S4U2T</u>	5	<u>FQP2-3115N-S4U2T</u>
FQP1-3110C-A2U2T	7	FQP2-3115C-A2U2T
FQP1-3110C-B2U2T	8	FQP2-3115C-B2U2T
HQP1-3110N-A3U2T	1	HQP2-3115N-A3U2T
HQP1-3110N-B3U2T	2	HQP2-3115N-B3U2T
HQP1-3110P-A3U2T	3	HQP2-3115P-A3U2T
HQP1-3110P-B3U2T	4	HQP2-3115P-B3U2T

4 φ 3x0.34
Approx.100 g

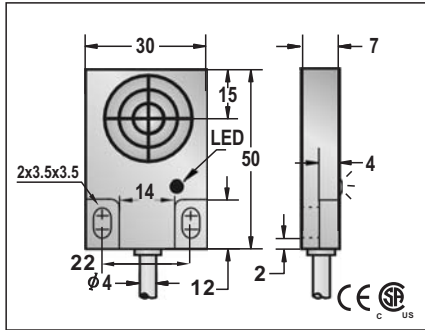
Note:
 Coming Soon : Part numbers with underline
 In Preparation: Part numbers with a line through the middle

Q30x50x7、Q40x50x17、Q35x55x15

DC INDUCTIVE PROXIMITY SWITCH SQUARE TYPE

DC INDUCTIVE PROXIMITY SWITCH
SQUARE TYPE

Q30x50x7	
●	○
10 mm	15 mm
PBT RESIN	
●	

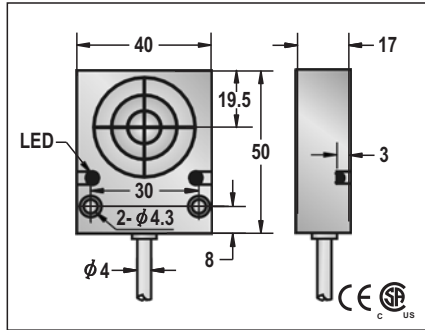


10-30VDC or 10-55VDC
<10%
<10mA or <20mA
200mA
<0.01mA
-
-
<1.5V or <2.0V
100HZ
1ms/1ms
<15%(Sr)
<1.0%(Sr)
IP67
-25°C - +70°C
<10%(Sr)
YES
220mA
<10ms
RFI>3V/m / EFT>1KV / ESD>4KV (contact)
IEC 60947-5-2, Part 7.4.1 / IEC 60947-5-2, Part 7.4.2
PBT

FQP1-3110N-A3S2T	1	FQP2-3115N-A3S2T
FQP1-3110N-B3S2T	2	FQP2-3115N-B3S2T
FQP1-3110P-A3S2T	3	FQP2-3115P-A3S2T
FQP1-3110P-B3S2T	4	FQP2-3115P-B3S2T
FQP1-3110P-S4S2T	6	FQP2-3115P-S4S2T
FQP1-3110N-S4S2T	5	FQP2-3115N-S4S2T
FQP1-3410C-A2S2T	7	FQP2-3415C-A2S2T
FQP1-3410C-B2S2T	8	FQP2-3415C-B2S2T
HQP1-3410N-A3S2T	1	HQP2-3415N-A3S2T
HQP1-3410N-B3S2T	2	HQP2-3415N-B3S2T
HQP1-3410P-A3S2T	3	HQP2-3415P-A3S2T
HQP1-3410P-B3S2T	4	HQP2-3415P-B3S2T

1. Voltage Drop:<1.5V(10-30V),<2V(10-55V).
2. 10-55V type: No Load Current < 20mA.
4 φ3x0.34
Approx.100 g

Q40x50x17	
●	○
15 mm	30 mm
PBT RESIN	
●	

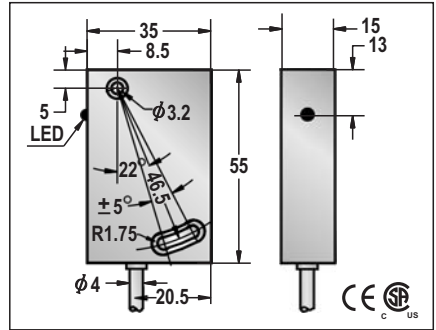


10-30VDC or 10-55VDC
<10%
<10mA or <20mA
200mA
<0.01mA
-
-
<1.5V or <2.0V
100HZ
1ms/1ms
<15%(Sr)
<1.0%(Sr)
IP67
-25°C - +70°C
<10%(Sr)
YES
220mA
<10ms
RFI>3V/m / EFT>1KV / ESD>4KV (contact)
IEC 60947-5-2, Part 7.4.1 / IEC 60947-5-2, Part 7.4.2
PBT

FQP1-4115N-A3U2T	1	FQP2-4130N-A3U2T
FQP1-4115N-B3U2T	2	FQP2-4130N-B3U2T
FQP1-4115P-A3U2T	3	FQP2-4130P-A3U2T
FQP1-4115P-B3U2T	4	FQP2-4130P-B3U2T
FQP1-4115P-S4U2T	6	FQP2-4130P-S4U2T
FQP1-4115N-S4U2T	5	FQP2-4130N-S4U2T
FQP1-4115C-A2U2T	7	FQP2-4130C-A2U2T
FQP1-4115C-B2U2T	8	FQP2-4130C-B2U2T
HQP1-4115N-A3U2T	1	HQP2-4130N-A3U2T
HQP1-4115N-B3U2T	2	HQP2-4130N-B3U2T
HQP1-4115P-A3U2T	3	HQP2-4130P-A3U2T
HQP1-4115P-B3U2T	4	HQP2-4130P-B3U2T

Please see Page 18 for details and specifications of DC 2-Wire models on this page.
4 φ3x0.34
Approx.120 g

Q35x55x15	
●	○
10 mm	15 mm
PBT RESIN	
●	



10-30VDC or 10-55VDC
<10%
<10mA or <20mA
200mA
<0.01mA
-
-
<1.5V or <2.0V
100HZ
1ms/1ms
<15%(Sr)
<1.0%(Sr)
IP67
-25°C - +70°C
<10%(Sr)
YES
220mA
<10ms
RFI>3V/m / EFT>1KV / ESD>4KV (contact)
IEC 60947-5-2, Part 7.4.1 / IEC 60947-5-2, Part 7.4.2
PBT

FQP1-3510N-A3U2T	1	FQP2-3515N-A3U2T
FQP1-3510N-B3U2T	2	FQP2-3515N-B3U2T
FQP1-3510P-A3U2T	3	FQP2-3515P-A3U2T
FQP1-3510P-B3U2T	4	FQP2-3515P-B3U2T
FQP1-3510P-S4U2T	6	FQP2-3515P-S4U2T
FQP1-3510N-S4U2T	5	FQP2-3515N-S4U2T
FQP1-3510C-A2U2T	7	FQP2-3515C-A2U2T
FQP1-3510C-B2U2T	8	FQP2-3515C-B2U2T
HQP1-3510N-A3U2T	1	HQP2-3515N-A3U2T
HQP1-3510N-B3U2T	2	HQP2-3515N-B3U2T
HQP1-3510P-A3U2T	3	HQP2-3515P-A3U2T
HQP1-3510P-B3U2T	4	HQP2-3515P-B3U2T

4 φ3x0.34
Approx.110 g

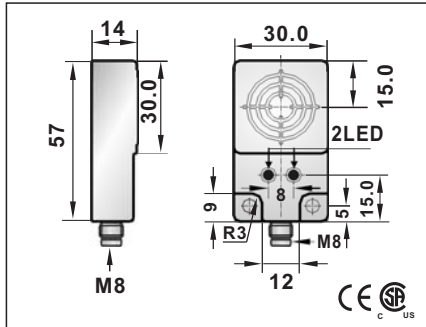
Note:
Coming Soon : Part numbers with underline
In Preparation: Part numbers with a line through the middle

Q14、Q16x28x10

DC INDUCTIVE PROXIMITY SWITCH SQUARE CONNECTOR TYPE

DC INDUCTIVE PROXIMITY SWITCH
SQUARE CONNECTOR TYPE

Q 14
●
10 mm
PBT RESIN
●

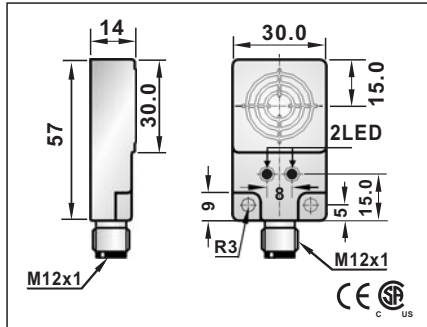


10-30VDC
<10%
<10mA
200mA
<0.01mA
-
-
<1.5V
500HZ
0.5ms/0.5ms
<15%(Sr)
<1.0%(Sr)
IP67
-25 °C - +70 °C
<10%(Sr)
YES
220mA
<10ms
RFI>3V/m / EFT>1KV / ESD>4KV (contact)
IEC 60947-5-2, Part 7.4.1 / IEC 60947-5-2, Part 7.4.2
PBT

<u>FQP1-1410N-ACU3T</u>	29
<u>FQP1-1410N-BCU3T</u>	29
<u>FQP1-1410P-ACU3T</u>	30
<u>FQP1-1410P-BCU3T</u>	30
<u>FQP1-1440C-ACU3T</u>	39
<u>FQP1-1440C-BCU3T</u>	77

4 ϕ 3x0.15
Approx.70 g

Q 14
●
10 mm
PBT RESIN
●



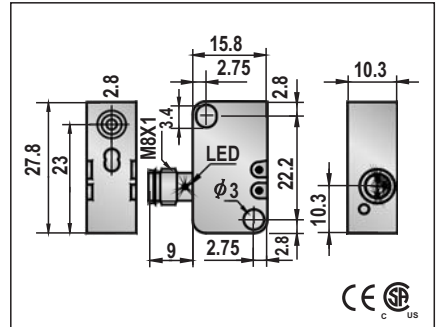
10-30VDC
<10%
<10mA
200mA
<0.01mA
-
-
<1.5V
500HZ
0.5ms/0.5ms
<15%(Sr)
<1.0%(Sr)
IP67
-25 °C - +70 °C
<10%(Sr)
YES
220mA
<10ms
RFI>3V/m / EFT>1KV / ESD>4KV (contact)
IEC 60947-5-2, Part 7.4.1 / IEC 60947-5-2, Part 7.4.2
PBT

<u>FQP1-1410N-ARU4T</u>	33
<u>FQP1-1410N-BRU4T</u>	34
<u>FQP1-1410P-ARU4T</u>	35
<u>FQP1-1410P-BRU4T</u>	36
<u>FQP1-1440C-ARU4T</u>	40
<u>FQP1-1440C-BRU4T</u>	78

4 ϕ 3x0.15
Approx.80 g

Please see Page 18 for details and specifications of DC 2-Wire models on this page.

Q16x28x10
●
1 mm
○
2 mm
PBT RESIN
●



10-30VDC
<10%
<10mA
200mA
<0.01mA
-
-
<1.5V
2KHZ
0.1ms/0.1ms
<15%(Sr)
<1.0%(Sr)
IP67
-25 °C - +75 °C
<10%(Sr)
YES
220mA
<10ms
RFI>3V/m / EFT>1KV / ESD>4KV (contact)
IEC 60947-5-2, Part 7.4.1 / IEC 60947-5-2, Part 7.4.2
PBT

<u>FQP1-Q2801N-ACU3X</u>	29	<u>FQP2-Q2802N-ACU3X</u>
<u>FQP1-Q2801N-BCU3X</u>	29	<u>FQP2-Q2802N-BCU3X</u>
<u>FQP1-Q2801P-ACU3X</u>	30	<u>FQP2-Q2802P-ACU3X</u>
<u>FQP1-Q2801P-BCU3X</u>	30	<u>FQP2-Q2802P-BCU3X</u>
<u>FQP1-Q2804C-ACU3X</u>	39	<u>FQP2-Q2802C-ACU3X</u>
<u>FQP1-Q2804C-BCU3X</u>	77	<u>FQP2-Q2802C-BCU3X</u>

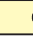


4 ϕ 3x0.15
Approx.30 g

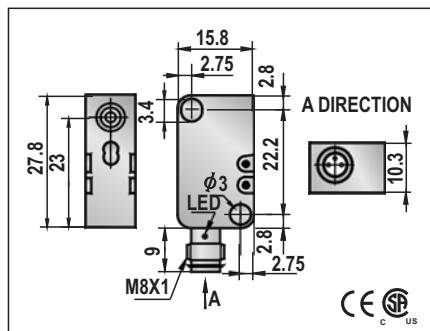
Note:
Coming Soon : Part numbers with underline
In Preparation: Part numbers with a line through the middle

Q16x28x10、Q42、Q25s

DC INDUCTIVE PROXIMITY SWITCH SQUARE CONNECTOR TYPE

DC INDUCTIVE PROXIMITY SWITCH SQUARE CONNECTOR TYPE



Q16x28x10	
	
1 mm	2 mm
PBT RESIN	
	

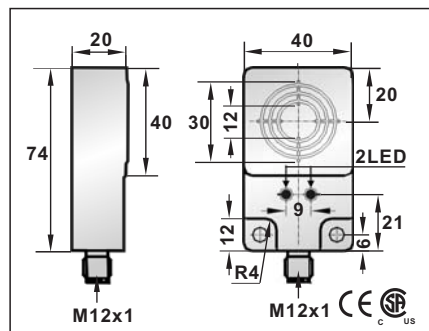


10-30VDC
<10%
<10mA
200mA
<0.01mA
-
-
<1.5V
2KHZ
0.1ms/0.1ms
<15%(Sr)
<1.0%(Sr)
IP67
-25°C - +75°C
<10%(Sr)
YES
220mA
<10ms
RFI>3V/m / EFT>1KV / ESD>4KV (contact)
IEC 60947-5-2,Part 7.4.1 / IEC 60947-5-2,Part 7.4.2
PBT

FQP1-2801N-ACU3	29	FQP2-2802N-ACU3	
FQP1-2801N-BCU3	29	FQP2-2802N-BCU3	
FQP1-2801P-ACU3	30	FQP2-2802P-ACU3	
FQP1-2801P-BCU3	30	FQP2-2802P-BCU3	
FQP1-2801C-ACU3	39	FQP2-2802C-ACU3	
FQP1-2801C-BCU3	77	FQP2-2802C-BCU3	

Approx.30 g

Q 42	
	
20 mm	
ABS RESIN	
	





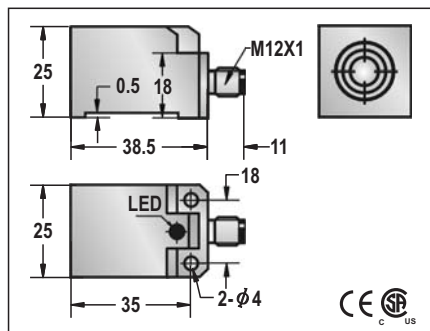
10-30VDC
<10%
<10mA
200mA
<0.01mA
-
-
<1.5V
500HZ
0.5ms/0.5ms
<15%(Sr)
<1.0%(Sr)
IP67
-25°C - +70°C
<10%(Sr)
YES
220mA
<10ms
RFI>3V/m / EFT>1KV / ESD>4KV (contact)
IEC 60947-5-2,Part 7.4.1 / IEC 60947-5-2,Part 7.4.2
POM

<u>FQP1-2020N-ARU4T</u>	33
<u>FQP1-2020N-BRU4T</u>	34
<u>FQP1-2020P-ARU4T</u>	35
<u>FQP1-2020P-BRU4T</u>	36

Approx.110 g

Please see Page 18 for details and specifications of DC 2-Wire models on this page.

Q25s	
	
10 mm	
PBT RESIN	
	



10-30VDC or 10-55VDC
<10%
<10mA or <20mA
200mA
<0.01mA
-
-
<1.5V or <2.0V
300HZ
0.5ms/0.5ms
<15%(Sr)
<1.0%(Sr)
IP67
-25°C - +75°C
<10%(Sr)
YES
220mA
<10ms
RFI>3V/m / EFT>1KV / ESD>4KV (contact)
IEC 60947-5-2,Part 7.4.1 / IEC 60947-5-2,Part 7.4.2
PBT

<u>FQP1-2510N-ARS4F</u>	33
<u>FQP1-2510N-BRS4F</u>	34
<u>FQP1-2510P-ARS4F</u>	35
<u>FQP1-2510P-BRS4F</u>	36
<u>FQP1-2510P-SRS4F</u>	38
<u>FQP1-2510N-SRS4F</u>	37
<u>FQP1-2510C-ARS4F</u>	40
<u>FQP1-2510C-BRS4F</u>	78
<u>HQP1-2510N-ARS4F</u>	33
<u>HQP1-2510N-BRS4F</u>	34
<u>HQP1-2510P-ARS4F</u>	35
<u>HQP1-2510P-BRS4F</u>	36

1. Voltage Drop:<1.5V(10-30V),<2V(10-55V).
2. 10-55V type: No Load Current < 20mA.
Approx.80 g

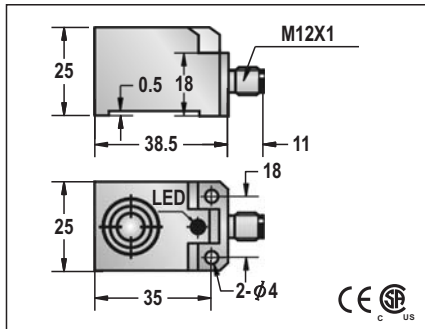
Note:

Coming Soon : Part numbers with underline
 In Preparation: Part numbers with a line through the middle

DC INDUCTIVE PROXIMITY SWITCH SQUARE CONNECTOR TYPE

 DC INDUCTIVE PROXIMITY SWITCH
 SQUARE CONNECTOR TYPE

Q25s
●
10 mm
PBT RESIN
●



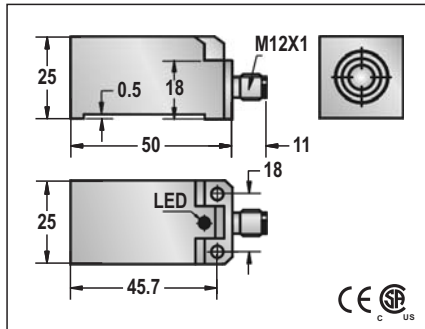
10-30VDC or 10-55VDC
<10%
<10mA or <20mA
200mA
<0.01mA
-
-
<1.5V or <2.0V
300HZ
0.5ms/0.5ms
<15%(Sr)
<1.0%(Sr)
IP67
-25°C - +75 °C
<10%(Sr)
YES
220mA
<10ms
RFI>3V/m / EFT>1KV / ESD>4KV (contact)
IEC 60947-5-2,Part 7.4.1 / IEC 60947-5-2,Part 7.4.2
PBT

<u>FQP1-2510N-ARS4T</u>	33
<u>FQP1-2510N-BRS4T</u>	34
<u>FQP1-2510P-ARS4T</u>	35
<u>FQP1-2510P-BRS4T</u>	36
<u>FQP1-2510P-SRS4T</u>	38
<u>FQP1-2510N-SRS4T</u>	37
<u>FQP1-2510C-ARS4T</u>	40
<u>FQP1-2510C-BRS4T</u>	78
<u>HQP1-2510N-ARS4T</u>	33
<u>HQP1-2510N-BRS4T</u>	34
<u>HQP1-2510P-ARS4T</u>	35
<u>HQP1-2510P-BRS4T</u>	36

1. Voltage Drop:<1.5V(10-30V),<2V(10-55V).
 2. 10-55V type: No Load Current < 20mA.

Approx.80 g

Q25
●
10 mm
PBT RESIN
●



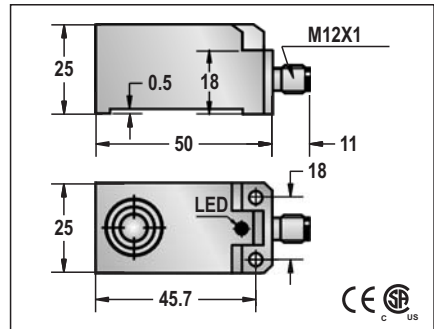
10-30VDC or 10-55VDC
<10%
<10mA or <20mA
200mA
<0.01mA
-
-
<1.5V or <2.0V
300HZ
0.5ms/0.5ms
<15%(Sr)
<1.0%(Sr)
IP67
-25°C - +70 °C
<10%(Sr)
YES
220mA
<10ms
RFI>3V/m / EFT>1KV / ESD>4KV (contact)
IEC 60947-5-2,Part 7.4.1 / IEC 60947-5-2,Part 7.4.2
PBT

<u>FQP1-2510N-ARU4F</u>	33
<u>FQP1-2510N-BRU4F</u>	34
<u>FQP1-2510P-ARU4F</u>	35
<u>FQP1-2510P-BRU4F</u>	36
<u>FQP1-2510P-SRU4F</u>	38
<u>FQP1-2510N-SRU4F</u>	37
<u>FQP1-2510C-ARU4F</u>	40
<u>FQP1-2510C-BRU4F</u>	78
<u>HQP1-2510N-ARU4F</u>	33
<u>HQP1-2510N-BRU4F</u>	34
<u>HQP1-2510P-ARU4F</u>	35
<u>HQP1-2510P-BRU4F</u>	36

Please see Page 18 for details and specifications of DC 2-Wire models on this page.

Approx.90 g

Q25
●
10 mm
PBT RESIN
●



10-30VDC or 10-55VDC
<10%
<10mA or <20mA
200mA
<0.01mA
-
-
<1.5V or <2.0V
300HZ
0.5ms/0.5ms
<15%(Sr)
<1.0%(Sr)
IP67
-25°C - +75 °C
<10%(Sr)
YES
220mA
<10ms
RFI>3V/m / EFT>1KV / ESD>4KV (contact)
IEC 60947-5-2,Part 7.4.1 / IEC 60947-5-2,Part 7.4.2
PBT

<u>FQP1-2510N-ARU4T</u>	33
<u>FQP1-2510N-BRU4T</u>	34
<u>FQP1-2510P-ARU4T</u>	35
<u>FQP1-2510P-BRU4T</u>	36
<u>FQP1-2510P-SRU4T</u>	38
<u>FQP1-2510N-SRU4T</u>	37
<u>FQP1-2510C-ARU4T</u>	40
<u>FQP1-2510C-BRU4T</u>	78
<u>HQP1-2510N-ARU4T</u>	33
<u>HQP1-2510N-BRU4T</u>	34
<u>HQP1-2510P-ARU4T</u>	35
<u>HQP1-2510P-BRU4T</u>	36

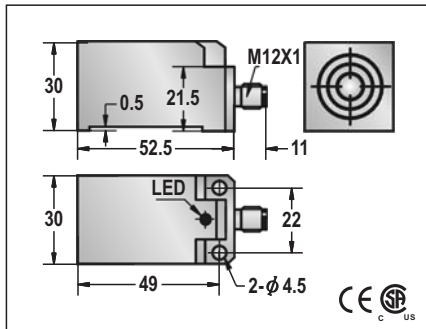
Approx.90 g

Note:
 Coming Soon : Part numbers with underline

DC INDUCTIVE PROXIMITY SWITCH SQUARE CONNECTOR TYPE

DC INDUCTIVE PROXIMITY SWITCH SQUARE CONNECTOR TYPE

Q30	
●	○
10 mm	15 mm
PBT RESIN	
●	



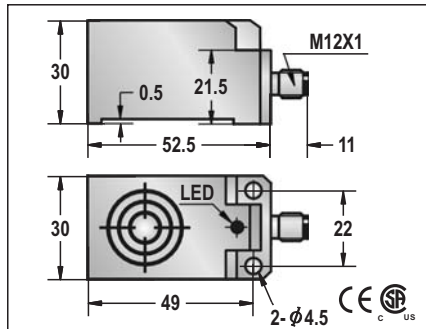
10-30VDC or 10-55VDC
<10%
<10mA or <20mA
200mA
<0.01mA
-
-
<1.5V or <2.0V
100HZ
1ms/1ms
<15%(Sr)
<1.0%(Sr)
IP67
-25°C - +70°C
<10%(Sr)
YES
220mA
<10ms
RFI>3V/m / EFT>1KV / ESD>4KV (contact)
IEC 60947-5-2, Part 7.4.1 / IEC 60947-5-2, Part 7.4.2
PBT

<u>FQP1-3010N-ARU4F</u>	33	<u>FQP2-3015N-ARU4F</u>
<u>FQP1-3010N-BRU4F</u>	34	<u>FQP2-3015N-BRU4F</u>
<u>FQP1-3010P-ARU4F</u>	35	<u>FQP2-3015P-ARU4F</u>
<u>FQP1-3010P-BRU4F</u>	36	<u>FQP2-3015P-BRU4F</u>
<u>FQP1-3010P-SRU4F</u>	38	<u>FQP2-3015P-SRU4F</u>
<u>FQP1-3010N-SRU4F</u>	37	<u>FQP2-3015N-SRU4F</u>
<u>FQP1-3010C-ARU4F</u>	40	<u>FQP2-3015C-ARU4F</u>
<u>FQP1-3010C-BRU4F</u>	78	<u>FQP2-3015C-BRU4F</u>
<u>HQP1-3010N-ARU4F</u>	33	<u>HQP2-3015N-ARU4F</u>
<u>HQP1-3010N-BRU4F</u>	34	<u>HQP2-3015N-BRU4F</u>
<u>HQP1-3010P-ARU4F</u>	35	<u>HQP2-3015P-ARU4F</u>
<u>HQP1-3010P-BRU4F</u>	36	<u>HQP2-3015P-BRU4F</u>

1. Voltage Drop: <1.5V(10-30V), <2V(10-55V).
 2. 10-55V type: No Load Current < 20mA.

Approx.120 g

Q30	
●	○
10 mm	15 mm
PBT RESIN	
●	



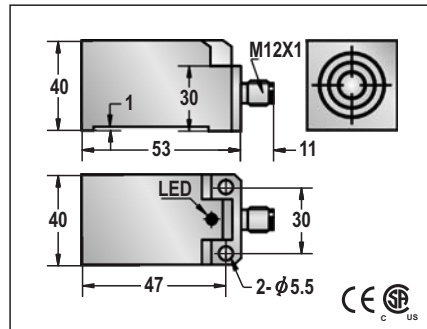
10-30VDC or 10-55VDC
<10%
<10mA or <20mA
200mA
<0.01mA
-
-
<1.5V or <2.0V
100HZ
1ms/1ms
<15%(Sr)
<1.0%(Sr)
IP67
-25°C - +75°C
<10%(Sr)
YES
220mA
<10ms
RFI>3V/m / EFT>1KV / ESD>4KV (contact)
IEC 60947-5-2, Part 7.4.1 / IEC 60947-5-2, Part 7.4.2
PBT

<u>FQP1-3010N-ARU4T</u>	33	<u>FQP2-3015N-ARU4T</u>
<u>FQP1-3010N-BRU4T</u>	34	<u>FQP2-3015N-BRU4T</u>
<u>FQP1-3010P-ARU4T</u>	35	<u>FQP2-3015P-ARU4T</u>
<u>FQP1-3010P-BRU4T</u>	36	<u>FQP2-3015P-BRU4T</u>
<u>FQP1-3010P-SRU4T</u>	38	<u>FQP2-3015P-SRU4T</u>
<u>FQP1-3010N-SRU4T</u>	37	<u>FQP2-3015N-SRU4T</u>
<u>FQP1-3010C-ARU4T</u>	40	<u>FQP2-3015C-ARU4T</u>
<u>FQP1-3010C-BRU4T</u>	78	<u>FQP2-3015C-BRU4T</u>
<u>HQP1-3010N-ARU4T</u>	33	<u>HQP2-3015N-ARU4T</u>
<u>HQP1-3010N-BRU4T</u>	34	<u>HQP2-3015N-BRU4T</u>
<u>HQP1-3010P-ARU4T</u>	35	<u>HQP2-3015P-ARU4T</u>
<u>HQP1-3010P-BRU4T</u>	36	<u>HQP2-3015P-BRU4T</u>

Please see Page 18 for details and specifications of DC 2-Wire models on this page.

Approx.120 g

Q40	
●	○
15 mm	30 mm
PBT RESIN	
●	



10-30VDC or 10-55VDC
<10%
<10mA or <20mA
200mA
<0.01mA
-
-
<1.5V or <2.0V
100HZ
1ms/1ms
<15%(Sr)
<1.0%(Sr)
IP67
-25°C - +70°C
<10%(Sr)
YES
220mA
<10ms
RFI>3V/m / EFT>1KV / ESD>4KV (contact)
IEC 60947-5-2, Part 7.4.1 / IEC 60947-5-2, Part 7.4.2
PBT

<u>FQP1-4515N-ARU4F</u>	33	<u>FQP2-4530N-ARU4F</u>
<u>FQP1-4515N-BRU4F</u>	34	<u>FQP2-4530N-BRU4F</u>
<u>FQP1-4515P-ARU4F</u>	35	<u>FQP2-4530P-ARU4F</u>
<u>FQP1-4515P-BRU4F</u>	36	<u>FQP2-4530P-BRU4F</u>
<u>FQP1-4515P-SRU4F</u>	38	<u>FQP2-4530P-SRU4F</u>
<u>FQP1-4515N-SRU4F</u>	37	<u>FQP2-4530N-SRU4F</u>
<u>FQP1-4515C-ARU4F</u>	40	<u>FQP2-4530C-ARU4F</u>
<u>FQP1-4515C-BRU4F</u>	78	<u>FQP2-4530C-BRU4F</u>
<u>HQP1-4515N-ARU4F</u>	33	<u>HQP2-4530N-ARU4F</u>
<u>HQP1-4515N-BRU4F</u>	34	<u>HQP2-4530N-BRU4F</u>
<u>HQP1-4515P-ARU4F</u>	35	<u>HQP2-4530P-ARU4F</u>
<u>HQP1-4515P-BRU4F</u>	36	<u>HQP2-4530P-BRU4F</u>

Approx.155 g

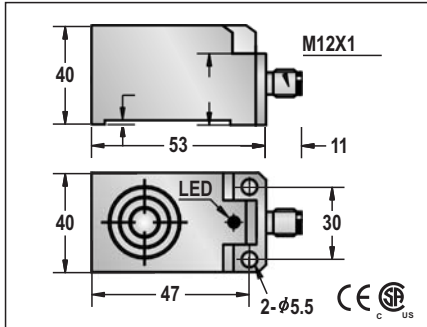
Note:
 Coming Soon : Part numbers with underline
 In Preparation: Part numbers with a line through the middle

Q40、Q30x45x12、Q40x50x17

DC INDUCTIVE PROXIMITY SWITCH SQUARE CONNECTOR TYPE

DC INDUCTIVE PROXIMITY SWITCH
SQUARE CONNECTOR TYPE

Q40	
●	○
15 mm	30 mm
PBT RESIN	
●	



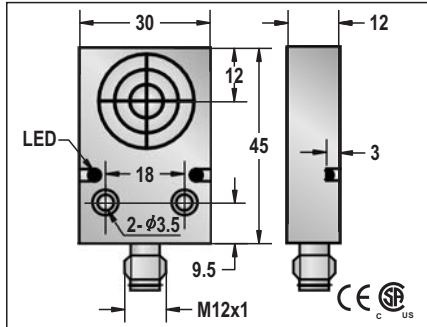
10-30VDC or 10-55VDC	
<10%	
<10mA or <20mA	
200mA	
<0.01mA	
-	
<1.5V or <2.0V	
100HZ	
1ms/1ms	
<15%(Sr)	
<1.0%(Sr)	
IP67	
-25 °C - +70 °C	
<10%(Sr)	
YES	
220mA	
<10ms	
RFI>3V/m / EFT>1KV / ESD>4KV (contact)	
IEC 60947-5-2, Part 7.4.1 / IEC 60947-5-2, Part 7.4.2	
PBT	

FQP1-4515N-ARU4T	33	FQP2-4530N-ARU4T
FQP1-4515N-BRU4T	34	FQP2-4530N-BRU4T
FQP1-4515P-ARU4T	35	FQP2-4530P-ARU4T
FQP1-4515P-BRU4T	36	FQP2-4530P-BRU4T
FQP1-4515P-SRU4T	38	FQP2-4530P-SRU4T
<u>FQP1-4515N-SRU4T</u>	<u>37</u>	<u>FQP2-4530N-SRU4T</u>
FQP1-4515C-ARU4T	40	FQP2-4530C-ARU4T
<u>FQP1-4515C-BRU4T</u>	<u>78</u>	<u>FQP2-4530C-BRU4T</u>
HQP1-4515N-ARU4T	33	HQP2-4530N-ARU4T
HQP1-4515N-BRU4T	34	HQP2-4530N-BRU4T
HQP1-4515P-ARU4T	35	HQP2-4530P-ARU4T
HQP1-4515P-BRU4T	36	HQP2-4530P-BRU4T

1. Voltage Drop:<1.5V(10-30V),<2V(10-55V).
2. 10-55V type: No Load Current < 20mA.

Approx.155 g

Q30x45x12	
●	○
10 mm	15 mm
PBT RESIN	
●	



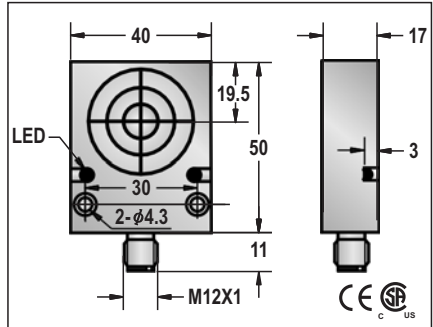
10-30VDC or 10-55VDC	
<10%	
<10mA or <20mA	
200mA	
<0.01mA	
-	
<1.5V or <2.0V	
100HZ	
1ms/1ms	
<15%(Sr)	
<1.0%(Sr)	
IP67	
-25 °C - +70 °C	
<10%(Sr)	
YES	
220mA	
<10ms	
RFI>3V/m / EFT>1KV / ESD>4KV (contact)	
IEC 60947-5-2, Part 7.4.1 / IEC 60947-5-2, Part 7.4.2	
PBT	

FQP1-3110N-ARU4T	33	FQP2-3115N-ARU4T
FQP1-3110N-BRU4T	34	FQP2-3115N-BRU4T
FQP1-3110P-ARU4T	35	FQP2-3115P-ARU4T
FQP1-3110P-BRU4T	36	FQP2-3115P-BRU4T
FQP1-3110P-SRU4T	38	FQP2-3115P-SRU4T
<u>FQP1-3110N-SRU4T</u>	<u>37</u>	<u>FQP2-3115N-SRU4T</u>
FQP1-3110C-ARU4T	40	FQP2-3115C-ARU4T
<u>FQP1-3110C-BRU4T</u>	<u>78</u>	<u>FQP2-3115C-BRU4T</u>
HQP1-3110N-ARU4T	33	HQP2-3115N-ARU4T
HQP1-3110N-BRU4T	34	HQP2-3115N-BRU4T
HQP1-3110P-ARU4T	35	HQP2-3115P-ARU4T
HQP1-3110P-BRU4T	36	HQP2-3115P-BRU4T

Please see Page 18 for details and specifications of DC 2-Wire models on this page.

Approx.65 g

Q40x50x17	
●	○
15 mm	30 mm
PBT RESIN	
●	



10-30VDC or 10-55VDC	
<10%	
<10mA or <20mA	
200mA	
<0.01mA	
-	
<1.5V or <2.0V	
100HZ	
1ms/1ms	
<15%(Sr)	
<1.0%(Sr)	
IP67	
-25 °C - +70 °C	
<10%(Sr)	
YES	
220mA	
<10ms	
RFI>3V/m / EFT>1KV / ESD>4KV (contact)	
IEC 60947-5-2, Part 7.4.1 / IEC 60947-5-2, Part 7.4.2	
PBT	

FQP1-4115N-ARU4T	33	FQP2-4130N-ARU4T
FQP1-4115N-BRU4T	34	FQP2-4130N-BRU4T
FQP1-4115P-ARU4T	35	FQP2-4130P-ARU4T
FQP1-4115P-BRU4T	36	FQP2-4130P-BRU4T
FQP1-4115P-SRU4T	38	FQP2-4130P-SRU4T
<u>FQP1-4115N-SRU4T</u>	<u>37</u>	<u>FQP2-4130N-SRU4T</u>
FQP1-4115C-ARU4T	40	FQP2-4130C-ARU4T
<u>FQP1-4115C-BRU4T</u>	<u>78</u>	<u>FQP2-4130C-BRU4T</u>
HQP1-4115N-ARU4T	33	HQP2-4130N-ARU4T
HQP1-4115N-BRU4T	34	HQP2-4130N-BRU4T
HQP1-4115P-ARU4T	35	HQP2-4130P-ARU4T
HQP1-4115P-BRU4T	36	HQP2-4130P-BRU4T

Approx.85 g

Note:
Coming Soon : Part numbers with underline

Q35x55x15, Q18C, Q50s

DC INDUCTIVE PROXIMITY SWITCH SQUARE CONNECTOR TYPE

DC INDUCTIVE PROXIMITY SWITCH SQUARE CONNECTOR TYPE

Q35x55x15																																																																									
●	○																																																																								
10 mm	15 mm																																																																								
PBT RESIN																																																																									
●																																																																									
<table style="width: 100%; border-collapse: collapse;"> <tr> <td style="width: 50%; border-bottom: 1px solid black;">10-30VDC or 10-55VDC</td> <td style="width: 50%; border-bottom: 1px solid black;"></td> </tr> <tr> <td style="border-bottom: 1px solid black;">$<10\%$</td> <td style="border-bottom: 1px solid black;"></td> </tr> <tr> <td style="border-bottom: 1px solid black;">$<10\text{mA}$ or $<20\text{mA}$</td> <td style="border-bottom: 1px solid black;"></td> </tr> <tr> <td style="border-bottom: 1px solid black;">200mA</td> <td style="border-bottom: 1px solid black;"></td> </tr> <tr> <td style="border-bottom: 1px solid black;">$<0.01\text{mA}$</td> <td style="border-bottom: 1px solid black;"></td> </tr> <tr> <td style="border-bottom: 1px solid black;">-</td> <td style="border-bottom: 1px solid black;"></td> </tr> <tr> <td style="border-bottom: 1px solid black;">$<1.5\text{V}$ or $<2.0\text{V}$</td> <td style="border-bottom: 1px solid black;"></td> </tr> <tr> <td style="border-bottom: 1px solid black;">100HZ</td> <td style="border-bottom: 1px solid black;"></td> </tr> <tr> <td style="border-bottom: 1px solid black;">1ms/1ms</td> <td style="border-bottom: 1px solid black;"></td> </tr> <tr> <td style="border-bottom: 1px solid black;">$<15\%(\text{Sr})$</td> <td style="border-bottom: 1px solid black;"></td> </tr> <tr> <td style="border-bottom: 1px solid black;">$<1.0\%(\text{Sr})$</td> <td style="border-bottom: 1px solid black;"></td> </tr> <tr> <td style="border-bottom: 1px solid black;">IP67</td> <td style="border-bottom: 1px solid black;"></td> </tr> <tr> <td style="border-bottom: 1px solid black;">$-25^{\circ}\text{C} - +70^{\circ}\text{C}$</td> <td style="border-bottom: 1px solid black;"></td> </tr> <tr> <td style="border-bottom: 1px solid black;">$<10\%(\text{Sr})$</td> <td style="border-bottom: 1px solid black;"></td> </tr> <tr> <td style="border-bottom: 1px solid black;">YES</td> <td style="border-bottom: 1px solid black;"></td> </tr> <tr> <td style="border-bottom: 1px solid black;">220mA</td> <td style="border-bottom: 1px solid black;"></td> </tr> <tr> <td style="border-bottom: 1px solid black;">$<10\text{ms}$</td> <td style="border-bottom: 1px solid black;"></td> </tr> <tr> <td style="border-bottom: 1px solid black;">RFI>3V/m / EFT>1KV / ESD>4KV (contact)</td> <td style="border-bottom: 1px solid black;"></td> </tr> <tr> <td style="border-bottom: 1px solid black;">IEC 60947-5-2,Part 7.4.1 / IEC 60947-5-2,Part 7.4.2</td> <td style="border-bottom: 1px solid black;"></td> </tr> <tr> <td colspan="2" style="text-align: center;">PBT</td> </tr> <tr> <td style="border-bottom: 1px solid black;">FQP1-3510N-ARU4T 33</td> <td style="border-bottom: 1px solid black;">FQP2-3515N-ARU4T 29</td> </tr> <tr> <td style="border-bottom: 1px solid black;">FQP1-3510N-BRU4T 34</td> <td style="border-bottom: 1px solid black;">FQP2-3515N-BRU4T 29</td> </tr> <tr> <td style="border-bottom: 1px solid black;">FQP1-3510P-ARU4T 35</td> <td style="border-bottom: 1px solid black;">FQP2-3515P-ARU4T 30</td> </tr> <tr> <td style="border-bottom: 1px solid black;">FQP1-3510P-BRU4T 36</td> <td style="border-bottom: 1px solid black;">FQP2-3515P-BRU4T 30</td> </tr> <tr> <td style="border-bottom: 1px solid black;">FQP1-3510P-SRU4T 38</td> <td style="border-bottom: 1px solid black;">FQP2-3515P-SRU4T 39</td> </tr> <tr> <td style="border-bottom: 1px solid black;">FQP1-3510N-SRU4T 37</td> <td style="border-bottom: 1px solid black;">FQP2-3515N-SRU4T 77</td> </tr> <tr> <td style="border-bottom: 1px solid black;">FQP1-3510C-ARU4T 40</td> <td style="border-bottom: 1px solid black;"></td> </tr> <tr> <td style="border-bottom: 1px solid black;">FQP1-3510C-BRU4T 78</td> <td style="border-bottom: 1px solid black;"></td> </tr> <tr> <td style="border-bottom: 1px solid black;">HQP1-3510N-ARU4T 33</td> <td style="border-bottom: 1px solid black;"></td> </tr> <tr> <td style="border-bottom: 1px solid black;">HQP1-3510N-BRU4T 34</td> <td style="border-bottom: 1px solid black;"></td> </tr> <tr> <td style="border-bottom: 1px solid black;">HQP1-3510P-ARU4T 35</td> <td style="border-bottom: 1px solid black;"></td> </tr> <tr> <td style="border-bottom: 1px solid black;">HQP1-3510P-BRU4T 36</td> <td style="border-bottom: 1px solid black;"></td> </tr> <tr> <td colspan="2" style="text-align: center;"> <table style="width: 100%; border-collapse: collapse;"> <tr> <td style="width: 50%; border-bottom: 1px solid black;">Sensing face</td> <td style="width: 50%; border-bottom: 1px solid black;"></td> </tr> <tr> <td style="border-bottom: 1px solid black;"> </td> <td style="border-bottom: 1px solid black;"></td> </tr> </table> </td> </tr> <tr> <td colspan="2" style="text-align: center;">Approx.75 g</td> </tr> </table>		10-30VDC or 10-55VDC		$<10\%$		$<10\text{mA}$ or $<20\text{mA}$		200mA		$<0.01\text{mA}$		-		$<1.5\text{V}$ or $<2.0\text{V}$		100HZ		1ms/1ms		$<15\%(\text{Sr})$		$<1.0\%(\text{Sr})$		IP67		$-25^{\circ}\text{C} - +70^{\circ}\text{C}$		$<10\%(\text{Sr})$		YES		220mA		$<10\text{ms}$		RFI>3V/m / EFT>1KV / ESD>4KV (contact)		IEC 60947-5-2,Part 7.4.1 / IEC 60947-5-2,Part 7.4.2		PBT		FQP1-3510N-ARU4T 33	FQP2-3515N-ARU4T 29	FQP1-3510N-BRU4T 34	FQP2-3515N-BRU4T 29	FQP1-3510P-ARU4T 35	FQP2-3515P-ARU4T 30	FQP1-3510P-BRU4T 36	FQP2-3515P-BRU4T 30	FQP1-3510P-SRU4T 38	FQP2-3515P-SRU4T 39	FQP1-3510N-SRU4T 37	FQP2-3515N-SRU4T 77	FQP1-3510C-ARU4T 40		FQP1-3510C-BRU4T 78		HQP1-3510N-ARU4T 33		HQP1-3510N-BRU4T 34		HQP1-3510P-ARU4T 35		HQP1-3510P-BRU4T 36		<table style="width: 100%; border-collapse: collapse;"> <tr> <td style="width: 50%; border-bottom: 1px solid black;">Sensing face</td> <td style="width: 50%; border-bottom: 1px solid black;"></td> </tr> <tr> <td style="border-bottom: 1px solid black;"> </td> <td style="border-bottom: 1px solid black;"></td> </tr> </table>		Sensing face				Approx.75 g	
10-30VDC or 10-55VDC																																																																									
$<10\%$																																																																									
$<10\text{mA}$ or $<20\text{mA}$																																																																									
200mA																																																																									
$<0.01\text{mA}$																																																																									
-																																																																									
$<1.5\text{V}$ or $<2.0\text{V}$																																																																									
100HZ																																																																									
1ms/1ms																																																																									
$<15\%(\text{Sr})$																																																																									
$<1.0\%(\text{Sr})$																																																																									
IP67																																																																									
$-25^{\circ}\text{C} - +70^{\circ}\text{C}$																																																																									
$<10\%(\text{Sr})$																																																																									
YES																																																																									
220mA																																																																									
$<10\text{ms}$																																																																									
RFI>3V/m / EFT>1KV / ESD>4KV (contact)																																																																									
IEC 60947-5-2,Part 7.4.1 / IEC 60947-5-2,Part 7.4.2																																																																									
PBT																																																																									
FQP1-3510N-ARU4T 33	FQP2-3515N-ARU4T 29																																																																								
FQP1-3510N-BRU4T 34	FQP2-3515N-BRU4T 29																																																																								
FQP1-3510P-ARU4T 35	FQP2-3515P-ARU4T 30																																																																								
FQP1-3510P-BRU4T 36	FQP2-3515P-BRU4T 30																																																																								
FQP1-3510P-SRU4T 38	FQP2-3515P-SRU4T 39																																																																								
FQP1-3510N-SRU4T 37	FQP2-3515N-SRU4T 77																																																																								
FQP1-3510C-ARU4T 40																																																																									
FQP1-3510C-BRU4T 78																																																																									
HQP1-3510N-ARU4T 33																																																																									
HQP1-3510N-BRU4T 34																																																																									
HQP1-3510P-ARU4T 35																																																																									
HQP1-3510P-BRU4T 36																																																																									
<table style="width: 100%; border-collapse: collapse;"> <tr> <td style="width: 50%; border-bottom: 1px solid black;">Sensing face</td> <td style="width: 50%; border-bottom: 1px solid black;"></td> </tr> <tr> <td style="border-bottom: 1px solid black;"> </td> <td style="border-bottom: 1px solid black;"></td> </tr> </table>		Sensing face																																																																							
Sensing face																																																																									
Approx.75 g																																																																									

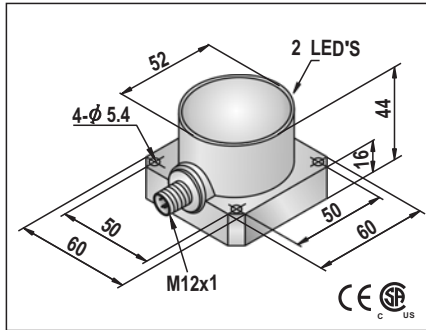
Q18C																																																											
○																																																											
4 mm																																																											
POM RESIN																																																											
●																																																											
<table style="width: 100%; border-collapse: collapse;"> <tr> <td style="width: 50%; border-bottom: 1px solid black;">10-30VDC</td> <td style="width: 50%; border-bottom: 1px solid black;"></td> </tr> <tr> <td style="border-bottom: 1px solid black;">$<10\%$</td> <td style="border-bottom: 1px solid black;"></td> </tr> <tr> <td style="border-bottom: 1px solid black;">$<10\text{mA}$</td> <td style="border-bottom: 1px solid black;"></td> </tr> <tr> <td style="border-bottom: 1px solid black;">200mA</td> <td style="border-bottom: 1px solid black;"></td> </tr> <tr> <td style="border-bottom: 1px solid black;">$<0.01\text{mA}$</td> <td style="border-bottom: 1px solid black;"></td> </tr> <tr> <td style="border-bottom: 1px solid black;">-</td> <td style="border-bottom: 1px solid black;"></td> </tr> <tr> <td style="border-bottom: 1px solid black;">$<1.5\text{V}$</td> <td style="border-bottom: 1px solid black;"></td> </tr> <tr> <td style="border-bottom: 1px solid black;">500HZ</td> <td style="border-bottom: 1px solid black;"></td> </tr> <tr> <td style="border-bottom: 1px solid black;">0.5ms/0.5ms</td> <td style="border-bottom: 1px solid black;"></td> </tr> <tr> <td style="border-bottom: 1px solid black;">$<15\%(\text{Sr})$</td> <td style="border-bottom: 1px solid black;"></td> </tr> <tr> <td style="border-bottom: 1px solid black;">$<1.0\%(\text{Sr})$</td> <td style="border-bottom: 1px solid black;"></td> </tr> <tr> <td style="border-bottom: 1px solid black;">IP67</td> <td style="border-bottom: 1px solid black;"></td> </tr> <tr> <td style="border-bottom: 1px solid black;">$-25^{\circ}\text{C} - +70^{\circ}\text{C}$</td> <td style="border-bottom: 1px solid black;"></td> </tr> <tr> <td style="border-bottom: 1px solid black;">$<10\%(\text{Sr})$</td> <td style="border-bottom: 1px solid black;"></td> </tr> <tr> <td style="border-bottom: 1px solid black;">YES</td> <td style="border-bottom: 1px solid black;"></td> </tr> <tr> <td style="border-bottom: 1px solid black;">220mA</td> <td style="border-bottom: 1px solid black;"></td> </tr> <tr> <td style="border-bottom: 1px solid black;">$<10\text{ms}$</td> <td style="border-bottom: 1px solid black;"></td> </tr> <tr> <td style="border-bottom: 1px solid black;">RFI>3V/m / EFT>1KV / ESD>4KV (contact)</td> <td style="border-bottom: 1px solid black;"></td> </tr> <tr> <td style="border-bottom: 1px solid black;">IEC 60947-5-2,Part 7.4.1 / IEC 60947-5-2,Part 7.4.2</td> <td style="border-bottom: 1px solid black;"></td> </tr> <tr> <td colspan="2" style="text-align: center;">POM</td> </tr> <tr> <td style="border-bottom: 1px solid black;">FQP2-18C04N-ACU3T 29</td> <td style="border-bottom: 1px solid black;"></td> </tr> <tr> <td style="border-bottom: 1px solid black;">FQP2-18C04N-BCU3T 29</td> <td style="border-bottom: 1px solid black;"></td> </tr> <tr> <td style="border-bottom: 1px solid black;">FQP2-18C04P-ACU3T 30</td> <td style="border-bottom: 1px solid black;"></td> </tr> <tr> <td style="border-bottom: 1px solid black;">FQP2-18C04P-BCU3T 30</td> <td style="border-bottom: 1px solid black;"></td> </tr> <tr> <td style="border-bottom: 1px solid black;"></td> <td style="border-bottom: 1px solid black;"></td> </tr> <tr> <td style="border-bottom: 1px solid black;"><u>FQP2-18C04C-ACU3T</u> 39</td> <td style="border-bottom: 1px solid black;"></td> </tr> <tr> <td style="border-bottom: 1px solid black;"><u>FQP2-18C04C-BCU3T</u> 77</td> <td style="border-bottom: 1px solid black;"></td> </tr> <tr> <td colspan="2" style="text-align: center;"> <p>Please see Page 18 for details and specifications of DC 2-Wire models on this page.</p> </td> </tr> <tr> <td colspan="2" style="text-align: center;">Approx.21 g</td> </tr> </table>		10-30VDC		$<10\%$		$<10\text{mA}$		200mA		$<0.01\text{mA}$		-		$<1.5\text{V}$		500HZ		0.5ms/0.5ms		$<15\%(\text{Sr})$		$<1.0\%(\text{Sr})$		IP67		$-25^{\circ}\text{C} - +70^{\circ}\text{C}$		$<10\%(\text{Sr})$		YES		220mA		$<10\text{ms}$		RFI>3V/m / EFT>1KV / ESD>4KV (contact)		IEC 60947-5-2,Part 7.4.1 / IEC 60947-5-2,Part 7.4.2		POM		FQP2-18C04N-ACU3T 29		FQP2-18C04N-BCU3T 29		FQP2-18C04P-ACU3T 30		FQP2-18C04P-BCU3T 30				<u>FQP2-18C04C-ACU3T</u> 39		<u>FQP2-18C04C-BCU3T</u> 77		<p>Please see Page 18 for details and specifications of DC 2-Wire models on this page.</p>		Approx.21 g	
10-30VDC																																																											
$<10\%$																																																											
$<10\text{mA}$																																																											
200mA																																																											
$<0.01\text{mA}$																																																											
-																																																											
$<1.5\text{V}$																																																											
500HZ																																																											
0.5ms/0.5ms																																																											
$<15\%(\text{Sr})$																																																											
$<1.0\%(\text{Sr})$																																																											
IP67																																																											
$-25^{\circ}\text{C} - +70^{\circ}\text{C}$																																																											
$<10\%(\text{Sr})$																																																											
YES																																																											
220mA																																																											
$<10\text{ms}$																																																											
RFI>3V/m / EFT>1KV / ESD>4KV (contact)																																																											
IEC 60947-5-2,Part 7.4.1 / IEC 60947-5-2,Part 7.4.2																																																											
POM																																																											
FQP2-18C04N-ACU3T 29																																																											
FQP2-18C04N-BCU3T 29																																																											
FQP2-18C04P-ACU3T 30																																																											
FQP2-18C04P-BCU3T 30																																																											
<u>FQP2-18C04C-ACU3T</u> 39																																																											
<u>FQP2-18C04C-BCU3T</u> 77																																																											
<p>Please see Page 18 for details and specifications of DC 2-Wire models on this page.</p>																																																											
Approx.21 g																																																											

Q50s																																																																					
○																																																																					
20 mm																																																																					
PBT																																																																					
●																																																																					
<table style="width: 100%; border-collapse: collapse;"> <tr> <td style="width: 50%; border-bottom: 1px solid black;">10-30VDC or 10-55VDC</td> <td style="width: 50%; border-bottom: 1px solid black;"></td> </tr> <tr> <td style="border-bottom: 1px solid black;">$<10\%$</td> <td style="border-bottom: 1px solid black;"></td> </tr> <tr> <td style="border-bottom: 1px solid black;">$<10\text{mA}$ or $<20\text{mA}$</td> <td style="border-bottom: 1px solid black;"></td> </tr> <tr> <td style="border-bottom: 1px solid black;">200mA</td> <td style="border-bottom: 1px solid black;"></td> </tr> <tr> <td style="border-bottom: 1px solid black;">$<0.01\text{mA}$</td> <td style="border-bottom: 1px solid black;"></td> </tr> <tr> <td style="border-bottom: 1px solid black;">-</td> <td style="border-bottom: 1px solid black;"></td> </tr> <tr> <td style="border-bottom: 1px solid black;">$<1.5\text{V}$ or $<2.0\text{V}$</td> <td style="border-bottom: 1px solid black;"></td> </tr> <tr> <td style="border-bottom: 1px solid black;">30HZ</td> <td style="border-bottom: 1px solid black;"></td> </tr> <tr> <td style="border-bottom: 1px solid black;">2ms/2ms</td> <td style="border-bottom: 1px solid black;"></td> </tr> <tr> <td style="border-bottom: 1px solid black;">$<15\%(\text{Sr})$</td> <td style="border-bottom: 1px solid black;"></td> </tr> <tr> <td style="border-bottom: 1px solid black;">$<1.0\%(\text{Sr})$</td> <td style="border-bottom: 1px solid black;"></td> </tr> <tr> <td style="border-bottom: 1px solid black;">IP67</td> <td style="border-bottom: 1px solid black;"></td> </tr> <tr> <td style="border-bottom: 1px solid black;">$-25^{\circ}\text{C} - +70^{\circ}\text{C}$</td> <td style="border-bottom: 1px solid black;"></td> </tr> <tr> <td style="border-bottom: 1px solid black;">$<10\%(\text{Sr})$</td> <td style="border-bottom: 1px solid black;"></td> </tr> <tr> <td style="border-bottom: 1px solid black;">YES</td> <td style="border-bottom: 1px solid black;"></td> </tr> <tr> <td style="border-bottom: 1px solid black;">220mA</td> <td style="border-bottom: 1px solid black;"></td> </tr> <tr> <td style="border-bottom: 1px solid black;">$<10\text{ms}$</td> <td style="border-bottom: 1px solid black;"></td> </tr> <tr> <td style="border-bottom: 1px solid black;">RFI>3V/m / EFT>1KV / ESD>4KV (contact)</td> <td style="border-bottom: 1px solid black;"></td> </tr> <tr> <td style="border-bottom: 1px solid black;">IEC 60947-5-2,Part 7.4.1 / IEC 60947-5-2,Part 7.4.2</td> <td style="border-bottom: 1px solid black;"></td> </tr> <tr> <td colspan="2" style="text-align: center;">PBT</td> </tr> <tr> <td style="border-bottom: 1px solid black;">FQP2-5020N-ARS4T 33</td> <td style="border-bottom: 1px solid black;"></td> </tr> <tr> <td style="border-bottom: 1px solid black;">FQP2-5020N-BRS4T 34</td> <td style="border-bottom: 1px solid black;"></td> </tr> <tr> <td style="border-bottom: 1px solid black;">FQP2-5020P-ARS4T 35</td> <td style="border-bottom: 1px solid black;"></td> </tr> <tr> <td style="border-bottom: 1px solid black;">FQP2-5020P-BRS4T 36</td> <td style="border-bottom: 1px solid black;"></td> </tr> <tr> <td style="border-bottom: 1px solid black;">FQP2-5020P-SRS4T 38</td> <td style="border-bottom: 1px solid black;"></td> </tr> <tr> <td style="border-bottom: 1px solid black;">FQP2-5020N-SRS4T 37</td> <td style="border-bottom: 1px solid black;"></td> </tr> <tr> <td style="border-bottom: 1px solid black;">FQP2-5020C-ARS4T 40</td> <td style="border-bottom: 1px solid black;"></td> </tr> <tr> <td style="border-bottom: 1px solid black;">FQP2-5020C-BRS4T 78</td> <td style="border-bottom: 1px solid black;"></td> </tr> <tr> <td style="border-bottom: 1px solid black;">HQP2-5020N-ARS4T 33</td> <td style="border-bottom: 1px solid black;"></td> </tr> <tr> <td style="border-bottom: 1px solid black;">HQP2-5020N-BRS4T 34</td> <td style="border-bottom: 1px solid black;"></td> </tr> <tr> <td style="border-bottom: 1px solid black;">HQP2-5020P-ARS4T 35</td> <td style="border-bottom: 1px solid black;"></td> </tr> <tr> <td style="border-bottom: 1px solid black;">HQP2-5020P-BRS4T 36</td> <td style="border-bottom: 1px solid black;"></td> </tr> <tr> <td colspan="2" style="text-align: center;"> <p>1. Voltage Drop:<math>1.5\text{V}</math>(10-30V),<math>1\text{V}</math>(5-36V), <math>2\text{V}</math>(10-55V). 2. 10-55V type: No Load Current <math><20\text{mA}</math>.</p> </td> </tr> <tr> <td colspan="2" style="text-align: center;">Approx.75 g</td> </tr> </table>		10-30VDC or 10-55VDC		$<10\%$		$<10\text{mA}$ or $<20\text{mA}$		200mA		$<0.01\text{mA}$		-		$<1.5\text{V}$ or $<2.0\text{V}$		30HZ		2ms/2ms		$<15\%(\text{Sr})$		$<1.0\%(\text{Sr})$		IP67		$-25^{\circ}\text{C} - +70^{\circ}\text{C}$		$<10\%(\text{Sr})$		YES		220mA		$<10\text{ms}$		RFI>3V/m / EFT>1KV / ESD>4KV (contact)		IEC 60947-5-2,Part 7.4.1 / IEC 60947-5-2,Part 7.4.2		PBT		FQP2-5020N-ARS4T 33		FQP2-5020N-BRS4T 34		FQP2-5020P-ARS4T 35		FQP2-5020P-BRS4T 36		FQP2-5020P-SRS4T 38		FQP2-5020N-SRS4T 37		FQP2-5020C-ARS4T 40		FQP2-5020C-BRS4T 78		HQP2-5020N-ARS4T 33		HQP2-5020N-BRS4T 34		HQP2-5020P-ARS4T 35		HQP2-5020P-BRS4T 36		<p>1. Voltage Drop:<math>1.5\text{V}</math>(10-30V),<math>1\text{V}</math>(5-36V), <math>2\text{V}</math>(10-55V). 2. 10-55V type: No Load Current <math><20\text{mA}</math>.</p>		Approx.75 g	
10-30VDC or 10-55VDC																																																																					
$<10\%$																																																																					
$<10\text{mA}$ or $<20\text{mA}$																																																																					
200mA																																																																					
$<0.01\text{mA}$																																																																					
-																																																																					
$<1.5\text{V}$ or $<2.0\text{V}$																																																																					
30HZ																																																																					
2ms/2ms																																																																					
$<15\%(\text{Sr})$																																																																					
$<1.0\%(\text{Sr})$																																																																					
IP67																																																																					
$-25^{\circ}\text{C} - +70^{\circ}\text{C}$																																																																					
$<10\%(\text{Sr})$																																																																					
YES																																																																					
220mA																																																																					
$<10\text{ms}$																																																																					
RFI>3V/m / EFT>1KV / ESD>4KV (contact)																																																																					
IEC 60947-5-2,Part 7.4.1 / IEC 60947-5-2,Part 7.4.2																																																																					
PBT																																																																					
FQP2-5020N-ARS4T 33																																																																					
FQP2-5020N-BRS4T 34																																																																					
FQP2-5020P-ARS4T 35																																																																					
FQP2-5020P-BRS4T 36																																																																					
FQP2-5020P-SRS4T 38																																																																					
FQP2-5020N-SRS4T 37																																																																					
FQP2-5020C-ARS4T 40																																																																					
FQP2-5020C-BRS4T 78																																																																					
HQP2-5020N-ARS4T 33																																																																					
HQP2-5020N-BRS4T 34																																																																					
HQP2-5020P-ARS4T 35																																																																					
HQP2-5020P-BRS4T 36																																																																					
<p>1. Voltage Drop:<math>1.5\text{V}</math>(10-30V),<math>1\text{V}</math>(5-36V), <math>2\text{V}</math>(10-55V). 2. 10-55V type: No Load Current <math><20\text{mA}</math>.</p>																																																																					
Approx.75 g																																																																					

Note:
 Coming Soon : Part numbers with underline
 In Preparation: Part numbers with a line through the middle C-16

DC INDUCTIVE PROXIMITY SWITCH SQUARE CONNECTOR TYPE

Q60s
○
30 mm
PBT RESIN
●



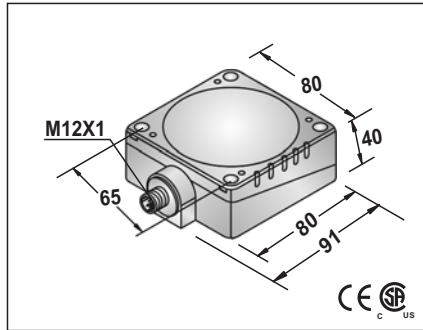
10-30VDC or 10-55VDC
<10%
<10mA or <20mA
200mA
<0.01mA
-
<1.5V or <2.0V
30HZ
2ms/2ms
<15%(Sr)
<1.0%(Sr)
IP67
-25 °C - +70 °C
<10%(Sr)
YES
220mA
<10ms
RFI>3V/m / EFT>1KV / ESD>4KV (contact)
IEC 60947-5-2,Part 7.4.1 / IEC 60947-5-2,Part 7.4.2
PBT

<u>FQP2-6030N-ARS4T</u>	33
<u>FQP2-6030N-BRS4T</u>	34
<u>FQP2-6030P-ARS4T</u>	35
<u>FQP2-6030P-BRS4T</u>	36
<u>FQP2-6030P-SRS4T</u>	38
<u>FQP2-6030N-SRS4T</u>	37
<u>FQP2-6030C-ARS4T</u>	40
<u>FQP2-6030C-BRS4T</u>	78
<u>HQP2-6030N-ARS4T</u>	33
<u>HQP2-6030N-BRS4T</u>	34
<u>HQP2-6030P-ARS4T</u>	35
<u>HQP2-6030P-BRS4T</u>	36

1. Voltage Drop:<1.5V(10-30V),<2V(10-55V).
2. 10-55V type: No Load Current < 20mA.

Approx.75 g

Q80
● ○
40 mm 50 mm
PBT RESIN
●



10-30VDC or 10-55VDC
<10%
<10mA or <20mA
200mA
<0.01mA
-
<1.5V or <2.0V
100HZ
1ms/1ms
<15%(Sr)
<1.0%(Sr)
IP67
-25 °C - +70 °C
<10%(Sr)
YES
220mA
<10ms
RFI>3V/m / EFT>1KV / ESD>4KV (contact)
IEC 60947-5-2,Part 7.4.1 / IEC 60947-5-2,Part 7.4.2
PBT

<u>FQP1-8040N-ARU4T</u>	33	<u>FQP2-8050N-ARU4T</u>
<u>FQP1-8040N-BRU4T</u>	34	<u>FQP2-8050N-BRU4T</u>
<u>FQP1-8040P-ARU4T</u>	35	<u>FQP2-8050P-ARU4T</u>
<u>FQP1-8040P-B4URT</u>	36	<u>FQP2-8050P-BRU4T</u>
<u>FQP1-8040P-SRU4T</u>	38	<u>FQP2-8050P-SRU4T</u>
<u>FQP1-8040N-SRU4T</u>	37	<u>FQP2-8050N-SRU4T</u>
<u>FQP1-8040C-ARU4T</u>	40	<u>FQP2-8050C-ARU4T</u>
<u>FQP1-8040C-BRU4T</u>	78	<u>FQP2-8050C-BRU4T</u>
<u>HQP1-8040N-ARU4T</u>	33	<u>HQP2-8050N-ARU4T</u>
<u>HQP1-8040N-BRU4T</u>	34	<u>HQP2-8050N-BRU4T</u>
<u>HQP1-8040P-ARU4T</u>	35	<u>HQP2-8050P-ARU4T</u>
<u>HQP1-8040P-BRU4T</u>	36	<u>HQP2-8050P-BRU4T</u>

Please see Page 18 for details and specifications of DC 2-Wire models on this page.

Approx.110 g

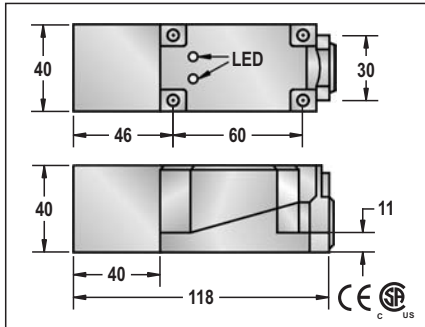
Note:

Coming Soon : Part numbers with underline
In Preparation: Part numbers with a line through the middle

DC INDUCTIVE PROXIMITY SWITCH 5 WAY ROTATABLE SENSING HEAD TYPE

DC INDUCTIVE PROXIMITY SWITCH 5 WAY ROTATABLE SENSING HEAD TYPE

Q40
●
15 mm
PBT RESIN
●



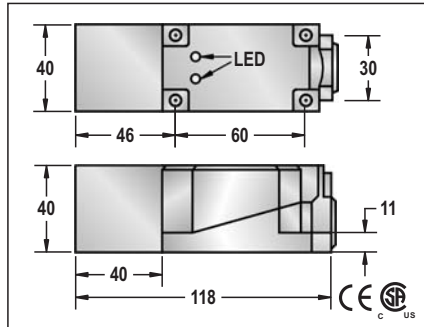
10-30VDC or 10-55VDC
<10%
<10mA or <20mA
200mA
<0.01mA
-
-
<1.5V or <2.0V
100HZ
1ms/1ms
<15%(Sr)
<1.0%(Sr)
IP67
-25 °C - +75 °C
<10%(Sr)
YES
220mA
<10ms
RFI>3V/m / EFT>1KV / ESD>4KV (contact)
IEC 60947-5-2,Part 7.4.1 / IEC 60947-5-2,Part 7.4.2
PBT

FQP1-4015N-A3U	1
FQP1-4015N-B3U	2
FQP1-4015P-A3U	3
FQP1-4015P-B3U	4
FQP1-4015P-S4U	6
FQP1-4015N-S4U	5
FQP1-4015C-A2U	7
FQP1-4015C-B2U	8
HQP1-4015N-A3U	1
HQP1-4015N-B3U	2
HQP1-4015P-A3U	3
HQP1-4015P-B3U	4

1. Voltage Drop:<1.5V(10-30V),<2V(10-55V).
2. 10-55V type: No Load Current < 20mA.

Approx.242 g

Q40
○
20 mm
PBT RESIN
●



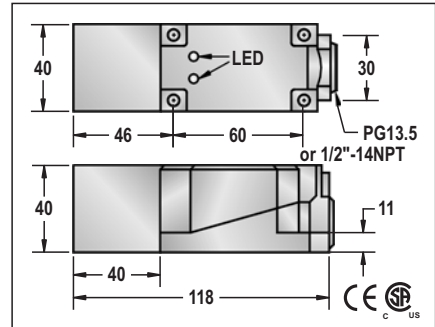
10-30VDC or 10-55VDC
<10%
<10mA or <20mA
200mA
<0.01mA
-
-
<1.5V or <2.0V
100HZ
1ms/1ms
<15%(Sr)
<1.0%(Sr)
IP67
-25 °C - +75 °C
<10%(Sr)
YES
220mA
<10ms
RFI>3V/m / EFT>1KV / ESD>4KV (contact)
IEC 60947-5-2,Part 7.4.1 / IEC 60947-5-2,Part 7.4.2
PBT

FQP2-4020N-A3U	1
FQP2-4020N-B3U	2
FQP2-4020P-A3U	3
FQP2-4020P-B3U	4
FQP2-4020P-S4U	6
FQP2-4020N-S4U	5
FQP2-4020C-A2U	7
FQP2-4020C-B2U	8
HQP2-4020N-A3U	1
HQP2-4020N-B3U	2
HQP2-4020P-A3U	3
HQP2-4020P-B3U	4

Please see Page 18 for details and specifications of DC 2-Wire models on this page.

Approx.242 g

Q40
○
30 mm
PBT RESIN
●



10-30VDC or 10-55VDC
<10%
<10mA or <20mA
200mA
<0.01mA
-
-
<1.5V or <2.0V
100HZ
1ms/1ms
<15%(Sr)
<1.0%(Sr)
IP67
-25 °C - +75 °C
<10%(Sr)
YES
220mA
<10ms
RFI>3V/m / EFT>1KV / ESD>4KV (contact)
IEC 60947-5-2,Part 7.4.1 / IEC 60947-5-2,Part 7.4.2
PBT

FQP2-4030N-A3U	1
FQP2-4030N-B3U	2
FQP2-4030P-A3U	3
FQP2-4030P-B3U	4
FQP2-4030P-S4U	6
FQP2-4030N-S4U	5
FQP2-4030C-A2U	7
FQP2-4030C-B2U	8
HQP2-4030N-A3U	1
HQP2-4030N-B3U	2
HQP2-4030P-A3U	3
HQP2-4030P-B3U	4

Approx.242 g

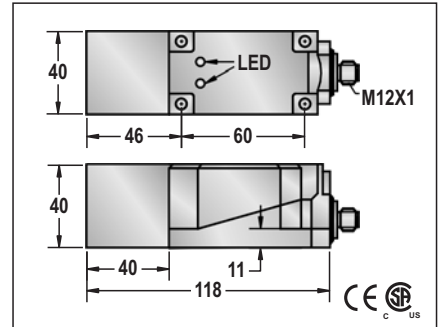
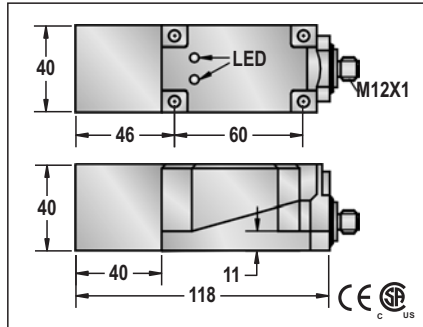
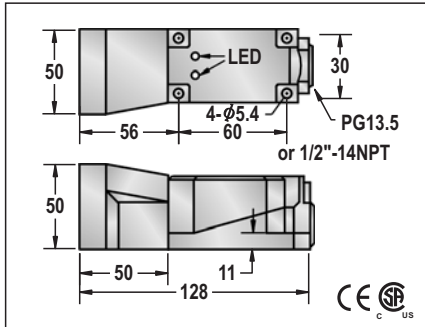
DC INDUCTIVE PROXIMITY SWITCH 5 WAY ROTATABL SENSING HEAD TYPE

DC INDUCTIVE PROXIMITY SWITCH 5 WAY ROTATABL SENSING HEAD TYPE

Q50
○
40 mm
PBT RESIN
●

Q40
●
15 mm
PBT RESIN
●

Q40
○
20 mm
PBT RESIN
●



10-30VDC or 10-55VDC
<10%
<10mA or <20mA
200mA
<0.01mA
-
<1.5V or <2.0V
100HZ
1ms/1ms
<15%(Sr)
<1.0%(Sr)
IP67
-25 °C - +70 °C
<10%(Sr)
YES
220mA
<10ms
RFI>3V/m / EFT>1KV / ESD>4KV (contact)
IEC 60947-5-2,Part 7.4.1 / IEC 60947-5-2,Part 7.4.2
PBT

10-30VDC or 10-55VDC
<10%
<10mA or <20mA
200mA
<0.01mA
-
<1.5V or <2.0V
100HZ
1ms/1ms
<15%(Sr)
<1.0%(Sr)
IP67
-25 °C - +70 °C
<10%(Sr)
YES
220mA
<10ms
RFI>3V/m / EFT>1KV / ESD>4KV (contact)
IEC 60947-5-2,Part 7.4.1 / IEC 60947-5-2,Part 7.4.2
PBT

10-30VDC or 10-55VDC
<10%
<10mA or <20mA
200mA
<0.01mA
-
<1.5V or <2.0V
100HZ
1ms/1ms
<15%(Sr)
<1.0%(Sr)
IP67
-25 °C - +70 °C
<10%(Sr)
YES
220mA
<10ms
RFI>3V/m / EFT>1KV / ESD>4KV (contact)
IEC 60947-5-2,Part 7.4.1 / IEC 60947-5-2,Part 7.4.2
PBT

FQP2-5040N-A3U	1
FQP2-5040N-B3U	2
FQP2-5040P-A3U	3
FQP2-5040P-B3U	4
FQP2-5040P-S4U	6
FQP2-5040N-S4U	5
FQP2-5040G-A2U	7
FQP2-5040G-B2U	8
HQP2-5040N-A3U	1
HQP2-5040N-B3U	2
HQP2-5040P-A3U	3
HQP2-5040P-B3U	4

FQP1-4015N-ARU4	33
FQP1-4015N-BRU4	34
FQP1-4015P-ARU4	35
FQP1-4015P-BRU4	36
FQP1-4015P-SRU4	38
FQP1-4015N-SRU4	37
FQP1-4015C-ARU4	40
FQP1-4015C-BRU4	78
HQP1-4015N-ARU4	33
HQP1-4015N-BRU4	34
HQP1-4015P-ARU4	35
HQP1-4015P-BRU4	36

FQP2-4020N-ARU4	33
FQP2-4020N-BRU4	34
FQP2-4020P-ARU4	35
FQP2-4020P-BRU4	36
FQP2-4020P-SRU4	38
FQP2-4020N-SRU4	37
FQP2-4020G-ARU4	40
FQP2-4020G-BRU4	78
HQP2-4020N-ARU4	33
HQP2-4020N-BRU4	34
HQP2-4020P-ARU4	35
HQP2-4020P-BRU4	36

1. Voltage Drop:<1.5V(10-30V),<2V(10-55V).
2. 10-55V type: No Load Current < 20mA.

Please see Page 18 for details and specifications of DC 2-Wire models on this page.

Approx.450 g

Approx.250 g

Approx.450 g

Note:

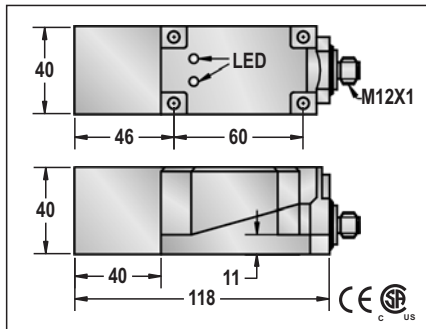
Coming Soon : Part numbers with underline
In Preparation: Part numbers with a line through the middle

Q40、Q50、Q40s

DC INDUCTIVE PROXIMITY SWITCH 5 WAY ROTATABLE SENSING HEAD TYPE

DC INDUCTIVE PROXIMITY SWITCH 5 WAY ROTATABLE SENSING HEAD TYPE

Q40
○
30 mm
PBT RESIN
●



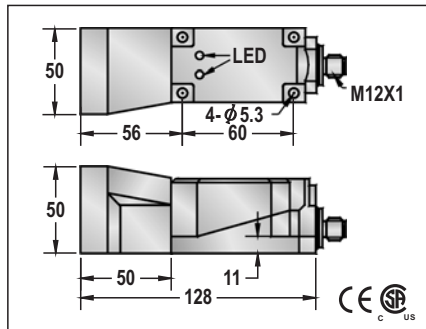
10-30VDC or 10-55VDC
<10%
<10mA or <20mA
200mA
<0.01mA
-
-
<1.5V or <2.0V
100HZ
1ms/1ms
<15%(Sr)
<1.0%(Sr)
IP67
-25°C - +70°C
<10%(Sr)
YES
220mA
<10ms
RFI>3V/m / EFT>1KV / ESD>4KV (contact)
IEC 60947-5-2,Part 7.4.1 / IEC 60947-5-2,Part 7.4.2
PBT

<u>FQP2-4030N-ARU4</u>	33
<u>FQP2-4030N-BRU4</u>	34
<u>FQP2-4030P-ARU4</u>	35
<u>FQP2-4030P-BRU4</u>	36
<u>FQP2-4030P-SRU4</u>	38
<u>FQP2-4030N-SRU4</u>	37
<u>FQP2-4030C-ARU4</u>	40
<u>FQP2-4030C-BRU4</u>	78
<u>HQP2-4030N-ARU4</u>	33
<u>HQP2-4030N-BRU4</u>	34
<u>HQP2-4030P-ARU4</u>	35
<u>HQP2-4030P-BRU4</u>	36

1. Voltage Drop:<1.5V(10-30V),<2V(10-55V).
2. 10-55V type: No Load Current < 20mA.

Approx.250 g

Q50
○
40 mm
PBT RESIN
●



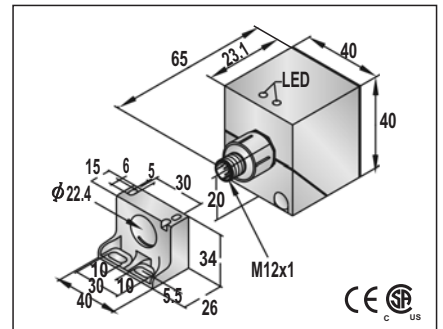
10-30VDC or 10-55VDC
<10%
<10mA or <20mA
200mA
<0.01mA
-
-
<1.5V or <2.0V
100HZ
1ms/1ms
<15%(Sr)
<1.0%(Sr)
IP67
-25°C - +70°C
<10%(Sr)
YES
220mA
<10ms
RFI>3V/m / EFT>1KV / ESD>4KV (contact)
IEC 60947-5-2,Part 7.4.1 / IEC 60947-5-2,Part 7.4.2
PBT

<u>FQP2-5040N-ARU4</u>	33
<u>FQP2-5040N-BRU4</u>	34
<u>FQP2-5040P-ARU4</u>	35
<u>FQP2-5040P-BRU4</u>	36
<u>FQP2-5040P-SRU4</u>	38
<u>FQP2-5040N-SRU4</u>	37
<u>FQP2-5040C-ARU4</u>	40
<u>FQP2-5040C-BRU4</u>	78
<u>HQP2-5040N-ARU4</u>	33
<u>HQP2-5040N-BRU4</u>	34
<u>HQP2-5040P-ARU4</u>	35
<u>HQP2-5040P-BRU4</u>	36

Please see Page 18 for details and specifications of DC 2-Wire models on this page.

Approx.450 g

Q40s
●
15 mm
PBT RESIN
●



10-30VDC or 10-55VDC
<10%
<10mA or <20mA
200mA
<0.01mA
-
-
<1.5V or <2.0V
100HZ
1ms/1ms
<15%(Sr)
<1.0%(Sr)
IP67
-25°C - +70°C
<10%(Sr)
YES
220mA
<10ms
RFI>3V/m / EFT>1KV / ESD>4KV (contact)
IEC 60947-5-2,Part 7.4.1 / IEC 60947-5-2,Part 7.4.2
PBT

<u>FQP1-4015N-ARS4</u>	33
<u>FQP1-4015N-BRS4</u>	34
<u>FQP1-4015P-ARS4</u>	35
<u>FQP1-4015P-BRS4</u>	36
<u>FQP1-4015P-SRS4</u>	38
<u>FQP1-4015N-SRS4</u>	37
<u>FQP1-4015C-ARS4</u>	40
<u>FQP1-4015C-BRS4</u>	78
<u>HQP1-4015N-ARS4</u>	33
<u>HQP1-4015N-BRS4</u>	34
<u>HQP1-4015P-ARS4</u>	35
<u>HQP1-4015P-BRS4</u>	36

Approx.450 g

Note:

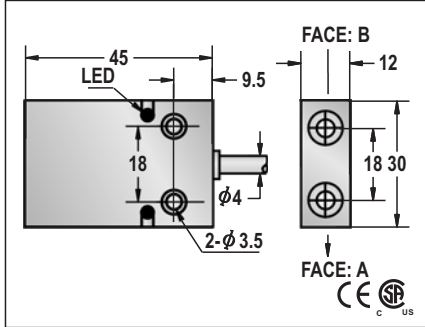
Coming Soon : Part numbers with underline
In Preparation: Part numbers with a line through the middle

Q30x45x12、Q40

DC INDUCTIVE PROXIMITY SWITCH DOUBLE SENSOR TYPE

DC INDUCTIVE PROXIMITY SWITCH
DOUBLE SENSOR TYPE

Q30x45x12
●
2 mm
PBT RESIN
●



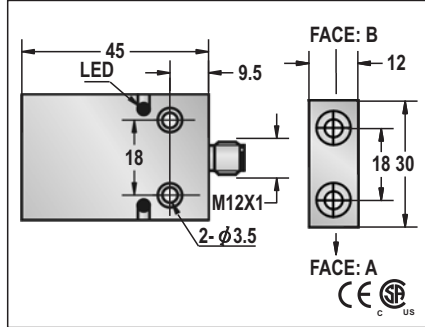
10-30VDC or 10-55VDC
<10%
<10mA or <20mA
200mA
<0.01mA
-
<1.5V or <2.0V
2KHZ
0.1ms/0.1ms
<15%(Sr)
<1.0%(Sr)
IP67
-25°C - +70°C
<10%(Sr)
YES
220mA
<10ms
RFI>3V/m / EFT>1KV / ESD>4KV (contact)
IEC 60947-5-2,Part 7.4.1 / IEC 60947-5-2,Part 7.4.2
PBT

FQP1-3202N-A3U2F	85
FQP1-3202N-B3U2F	86
FQP1-3202P-A3U2F	87
FQP1-3202P-B3U2F	88
HQP1-3202N-A3U2F	85
HQP1-3202N-B3U2F	86
HQP1-3202P-A3U2F	87
HQP1-3202P-B3U2F	88

1. Voltage Drop:<1.5V(10-30V),<2V(10-55V).
2. 10-55V type: No Load Current < 20mA.

4 φ 3x0.15
Approx.100 g

Q30x45x12
●
2 mm
PBT RESIN
●



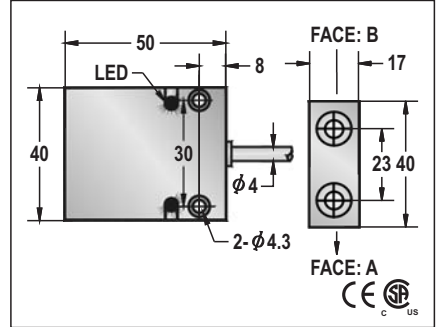
10-30VDC or 10-55VDC
<10%
<10mA or <20mA
200mA
<0.01mA
-
<1.5V or <2.0V
2KHZ
0.1ms/0.1ms
<15%(Sr)
<1.0%(Sr)
IP67
-25°C - +70°C
<10%(Sr)
YES
220mA
<10ms
RFI>3V/m / EFT>1KV / ESD>4KV (contact)
IEC 60947-5-2,Part 7.4.1 / IEC 60947-5-2,Part 7.4.2
PBT

FQP1-3202N-ARU4F	37
FQP1-3202N-BRU4F	37
FQP1-3202P-ARU4F	38
FQP1-3202P-BRU4F	38
HQP1-3202N-ARU4F	37
HQP1-3202N-BRU4F	37
HQP1-3202P-ARU4F	38
HQP1-3202P-BRU4F	38

Please see Page 18 for details and specifications of DC 2-Wire models on this page.

4 φ 3x0.15
Approx.65 g

Q40
●
5 mm
PBT RESIN
●



10-30VDC or 10-55VDC
<10%
<10mA or <20mA
200mA
<0.01mA
-
<1.5V or <2.0V
1KHZ
0.2ms/0.2ms
<15%(Sr)
<1.0%(Sr)
IP67
-25°C - +70°C
<10%(Sr)
YES
220mA
<10ms
RFI>3V/m / EFT>1KV / ESD>4KV (contact)
IEC 60947-5-2,Part 7.4.1 / IEC 60947-5-2,Part 7.4.2
PBT

FQP1-4205N-A3U2F	85
FQP1-4205N-B3U2F	86
FQP1-4205P-A3U2F	87
FQP1-4205P-B3U2F	88
HQP1-4205N-A3U2F	85
HQP1-4205N-B3U2F	86
HQP1-4205P-A3U2F	87
HQP1-4205P-B3U2F	88

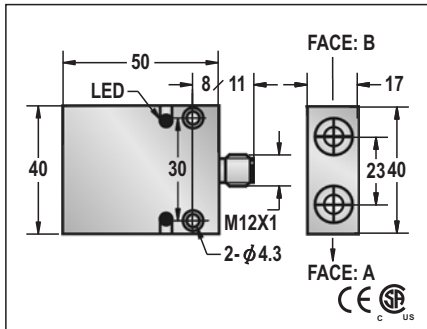
4 φ 3x0.15
Approx.120 g

Note:
In Preparation: Part numbers with a line through the middle

DC INDUCTIVE PROXIMITY SWITCH DOUBLE SENSOR TYPE

DC INDUCTIVE PROXIMITY SWITCH
DOUBLE SENSOR TYPE

Q40
●
5 mm
PBT RESIN
●



10-30VDC or 10-55VDC
<10%
<10mA or <20mA
200mA
<0.01mA
-
<1.5V or <2.0V
1KHZ
0.2ms/0.2ms
<15%(Sr)
<1.0%(Sr)
IP67
-25 °C - +70 °C
<10%(Sr)
YES
220mA
<10ms
RFI>3V/m / EFT>1KV / ESD>4KV (contact)
IEC 60947-5-2,Part 7.4.1 / IEC 60947-5-2,Part 7.4.2
PBT

<u>FQP1-4205N-ARU4F</u>	37
<u>FQP1-4205N-BRU4F</u>	37
<u>FQP1-4205P-ARU4F</u>	38
<u>FQP1-4205P-BRU4F</u>	38
<u>HQP1-4205N-ARU4F</u>	37
<u>HQP1-4205N-BRU4F</u>	37
<u>HQP1-4205P-ARU4F</u>	38
<u>HQP1-4205P-BRU4F</u>	38

1. Voltage Drop:<1.5V(10-30V),<2V(10-55V).
2. 10-55V type: No Load Current < 20mA.

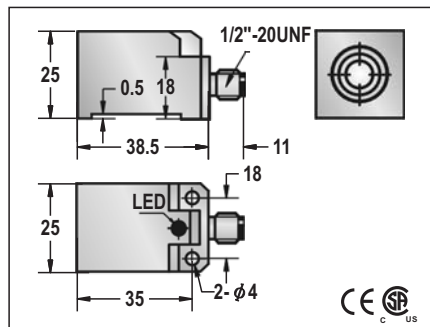
Approx.85 g

Note:
Coming Soon : Part numbers with underline

AC INDUCTIVE PROXIMITY SWITCH SQUARE CONNECTOR TYPE

AC INDUCTIVE PROXIMITY SWITCH
SQUARE CONNECTOR TYPE

Q25s
●
10 mm
PBT RESIN
●



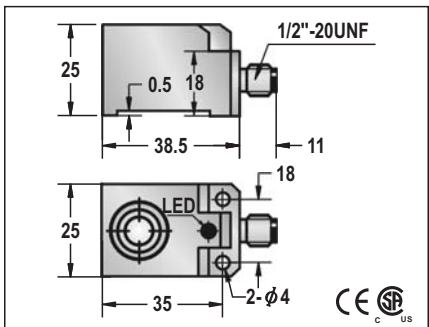
20-250VAC
-
<1.8mA
400mA
1.8mA
5A(20ms)
5mA
<8VAC AT 400MA
<25HZ
10ms/10ms
<15%(Sr)
<1.0%(Sr)
IP67
-25 °C - +70 °C
<10%(Sr)
-
-
-
RFI>3V/m / EFT>1KV / ESD>4KV (contact)
IEC 60947-5-2,Part 7.4.1 / IEC 60947-5-2,Part 7.4.2
PBT

<u>FQP1-2510A-AUS3F</u>	58
<u>FQP1-2510A-BUS3F</u>	58

TYPE: ****.*****S**
 └ AC type short body
 no have S.C.P.

Approx.80 g

Q25s
●
10 mm
PBT RESIN
●

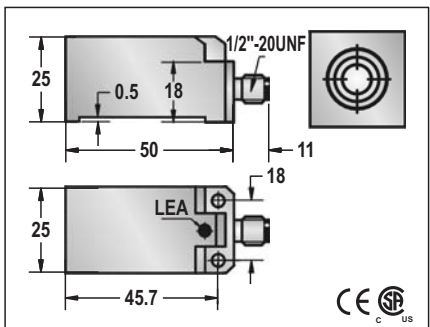


20-250VAC
-
<1.8mA
400mA
1.8mA
5A(20ms)
5mA
<8VAC AT 400MA
<25HZ
10ms/10ms
<15%(Sr)
<1.0%(Sr)
IP67
-25 °C - +70 °C
<10%(Sr)
-
-
-
RFI>3V/m / EFT>1KV / ESD>4KV (contact)
IEC 60947-5-2,Part 7.4.1 / IEC 60947-5-2,Part 7.4.2
PBT

<u>FQP1-2510A-AUS3T</u>	58
<u>FQP1-2510A-BUS3T</u>	58

Approx.80 g

Q25
●
10 mm
PBT RESIN
●



20-250VAC
-
<1.8mA
400mA
1.8mA
5A(20ms)
5mA
<8VAC AT 400MA
<25HZ
10ms/10ms
<15%(Sr)
<1.0%(Sr)
IP67
-25 °C - +70 °C
<10%(Sr)
-
-
-
RFI>3V/m / EFT>1KV / ESD>4KV (contact)
IEC 60947-5-2,Part 7.4.1 / IEC 60947-5-2,Part 7.4.2
PBT

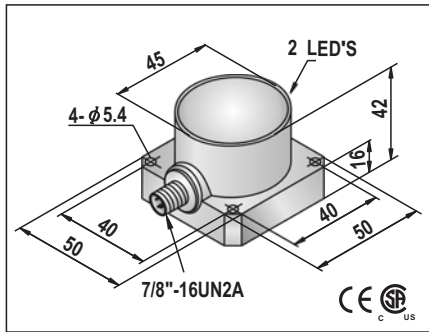
<u>FQP1-2510A-AUL3F</u>	58
<u>FQP1-2510A-BUL3F</u>	58

Approx.90 g

Note:
Coming Soon : Part numbers with underline

AC INDUCTIVE PROXIMITY SWITCH SQUARE CONNECTOR TYPE

Q50s
○
20 mm
PBT RESIN
●

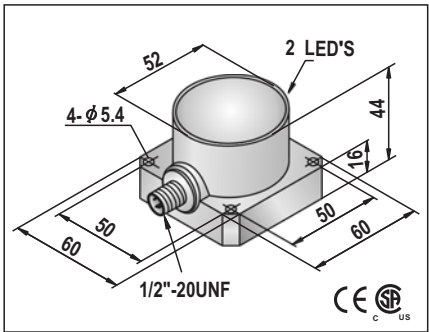


20-250VAC
-
<1.8mA
400mA
1.8mA
5A(20ms)
5mA
<8VAC AT 400MA
<25HZ
10ms/10ms
<15%(Sr)
<1.0%(Sr)
IP67
-25°C - +70°C
<10%(Sr)
-
-
-
RFI>3V/m / EFT>1KV / ESD>4KV (contact)
IEC 60947-5-2,Part 7.4.1 / IEC 60947-5-2,Part 7.4.2
PBT

<u>FQP2-5020A-AZS2T</u>	66
<u>FQP2-5020A-BZS2T</u>	66
<u>FQP2-5020A-CZS4T</u>	69

Approx.85 g

Q60s
○
30 mm
PBT RESIN
●

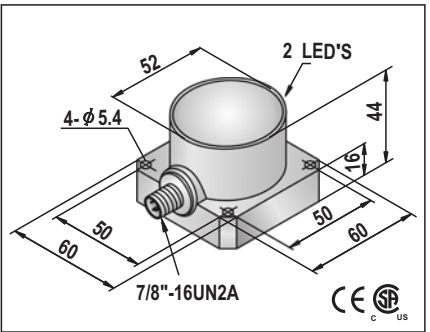


20-250VAC
-
<1.8mA
400mA
1.8mA
5A(20ms)
5mA
<8VAC AT 400MA
<25HZ
10ms/10ms
<15%(Sr)
<1.0%(Sr)
IP67
-25°C - +70°C
<10%(Sr)
-
-
-
RFI>3V/m / EFT>1KV / ESD>4KV (contact)
IEC 60947-5-2,Part 7.4.1 / IEC 60947-5-2,Part 7.4.2
PBT

<u>FQP2-6030A-AUS3T</u>	58
<u>FQP2-6030A-BUS3T</u>	58
<u>FQP2-6030A-CUS5T</u>	62

Approx.85 g

Q60s
○
30 mm
PBT RESIN
●



20-250VAC
-
<1.8mA
400mA
1.8mA
5A(20ms)
5mA
<8VAC AT 400MA
<25HZ
10ms/10ms
<15%(Sr)
<1.0%(Sr)
IP67
-25°C - +70°C
<10%(Sr)
-
-
-
RFI>3V/m / EFT>1KV / ESD>4KV (contact)
IEC 60947-5-2,Part 7.4.1 / IEC 60947-5-2,Part 7.4.2
PBT

<u>FQP2-6030A-AZS2T</u>	66
<u>FQP2-6030A-BZS2T</u>	66
<u>FQP2-6030A-CZS4T</u>	69

Approx.85 g

Note
Coming Soon: Part numbers with underline
In Preparation: Part numbers with a line through the middle

AC INDUCTIVE PROXIMITY SWITCH 5 WAY ROTATABLE SENSING

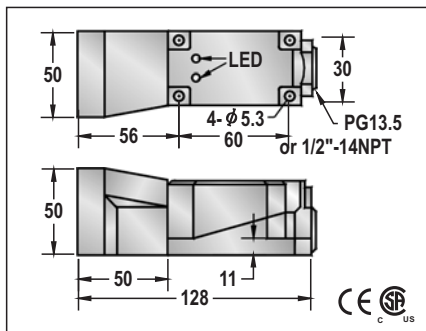
Q50

○

40 mm

PBT RESIN

●



20-250VAC

-

<2.5mA

400mA

2.5mA

5A(20ms)

5mA

<8VAC AT 400MA

<25HZ

10ms/10ms

<15%(Sr)

<1.0%(Sr)

IP67

-25 ° C - +70 ° C

<10%(Sr)

-

-

-

RFI>3V/m / EFT>1KV / ESD>4KV (contact)

IEC 60947-5-2,Part 7.4.1 / IEC 60947-5-2,Part 7.4.2

PBT

FQP2-5040A-A2L 9

FQP2-5040A-B2L 10

FQP2-5040A-C4L 13

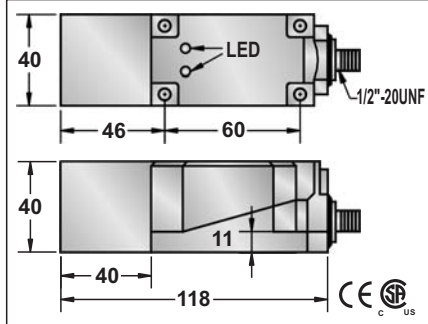
Approx.250 g

AC INDUCTIVE PROXIMITY SWITCH 5 WAY ROTATABLE SENSING HEAD TYPE

AC INDUCTIVE PROXIMITY SWITCH 5 WAY ROTATABLE SENSING

AC INDUCTIVE PROXIMITY SWITCH 5 WAY ROTATABLE SENSING HEAD TYPE

Q40
●
15 mm
PBT RESIN
●

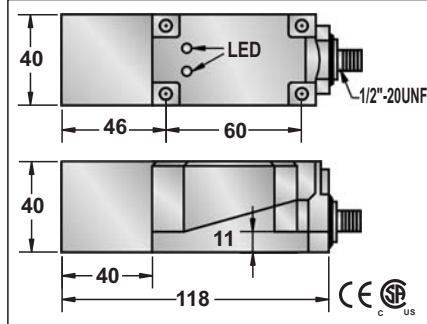


20-250VAC
-
<2.5mA
400mA
2.5mA
5A(20ms)
5mA
<8VAC AT 400MA
<25HZ
10ms/10ms
<15%
<1.0%(Sr)
IP67
-25 °C - +70 °C
<10%(Sr)
-
-
-
RFI>3V/m / EFT>1KV / ESD>4KV (contact)
IEC 60947-5-2,Part 7.4.1 / IEC 60947-5-2,Part 7.4.2
PBT

FQP1-4015A-AUL3	58
FQP1-4015A-BUL3	58
FQP1-4015A-CUL5	62

Approx.250 g

Q40
○
20 mm
PBT RESIN
●

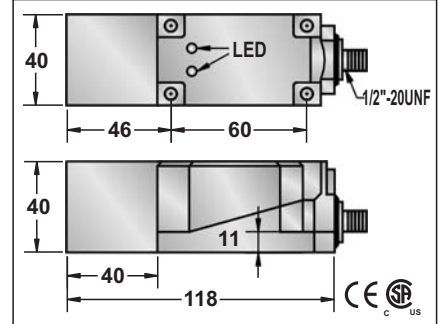


20-250VAC
-
<2.5mA
400mA
2.5mA
5A(20ms)
5mA
<8VAC AT 400MA
<25HZ
10ms/10ms
<15%
<1.0%(Sr)
IP67
-25 °C - +70 °C
<10%(Sr)
-
-
-
RFI>3V/m / EFT>1KV / ESD>4KV (contact)
IEC 60947-5-2,Part 7.4.1 / IEC 60947-5-2,Part 7.4.2
PBT

FQP2-4020A-AUL3	58
FQP2-4020A-BUL3	58
FQP2-4020A-CUL5	62

Approx.250 g

Q40
○
30 mm
PBT RESIN
●



20-250VAC
-
<2.5mA
400mA
2.5mA
5A(20ms)
5mA
<8VAC AT 400MA
<25HZ
10ms/10ms
<15%
<1.0%(Sr)
IP67
-25 °C - +70 °C
<10%(Sr)
-
-
-
RFI>3V/m / EFT>1KV / ESD>4KV (contact)
IEC 60947-5-2,Part 7.4.1 / IEC 60947-5-2,Part 7.4.2
PBT

FQP2-4030A-AUL3	58
FQP2-4030A-BUL3	58
FQP2-4030A-CUL5	62

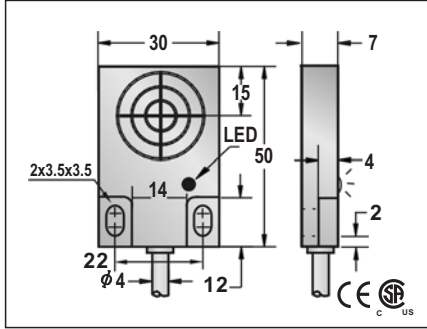
Approx.250 g

Q30x50x7、Q40x50x17、Q35x55x15

AC/DC INDUCTIVE PROXIMITY SWITCH SQUARE TYPE

AC/DC INDUCTIVE PROXIMITY SWITCH SQUARE TYPE

Q30x50x7	
●	○
10 mm	15 mm
PBT RESIN	
●	

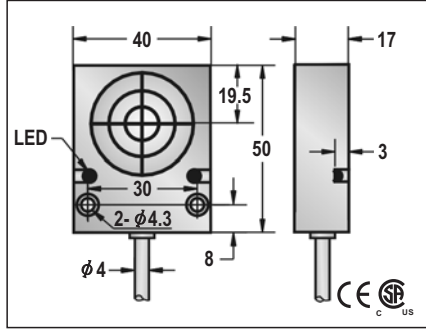


20-250 VAC, 50-60 Hz; 20-250 VDC	
DC RIPPLE <10%	
<2.5mA	
200mA	
<2.5mA	
2.2A for 20ms	
5mA	
<=10 VAC : <=8 VDC	
25HZ AC; 40 Hz DC	
10ms/10ms	
<15% (Sr)	
<1.0% (Sr)	
IP67	
-25 °C - +70 °C	
<10% (Sr)	
YES	
-	
-	
RFI>3V/m / EFT>1KV / ESD>4KV (contact)	
IEC 60947-5-2,Part 7.4.1 / IEC 60947-5-2,Part 7.4.2	
PBT	

<u>FQP1-3110U-A2S2T</u>	<u>9</u>	<u>FQP2-3115U-A2S2T</u>
<u>FQP1-3110U-B2S2T</u>	<u>10</u>	<u>FQP2-3115U-B2S2T</u>

4 φ 2x0.34	
Approx.100 g	

Q40x50x17	
●	○
15 mm	30 mm
PBT RESIN	
●	

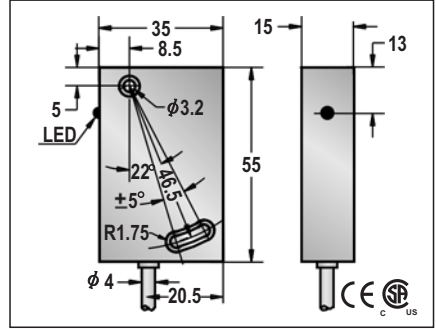


20-250 VAC, 50-60 Hz; 20-250 VDC	
DC RIPPLE <10%	
<2.5mA	
200mA	
<2.5mA	
2.2A for 20ms	
5mA	
<=10 VAC : <=8 VDC	
25HZ AC; 40 Hz DC	
10ms/10ms	
<15% (Sr)	
<1.0% (Sr)	
IP67	
-25 °C - +70 °C	
<10% (Sr)	
YES	
-	
-	
RFI>3V/m / EFT>1KV / ESD>4KV (contact)	
IEC 60947-5-2,Part 7.4.1 / IEC 60947-5-2,Part 7.4.2	
PBT	

<u>FQP1-4115U-A2L2T</u>	<u>9</u>	<u>FQP2-4130U-A2L2T</u>
<u>FQP1-4115U-B2L2T</u>	<u>10</u>	<u>FQP2-4130U-B2L2T</u>

4 φ 2x0.34	
Approx.120 g	

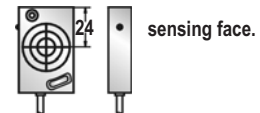
Q35x55x15	
●	○
10 mm	15 mm
PBT RESIN	
●	



20-250 VAC, 50-60 Hz; 20-250 VDC	
DC RIPPLE <10%	
<2.5mA	
200mA	
<2.5mA	
2.2A for 20ms	
5mA	
<=10 VAC : <=8 VDC	
25HZ AC; 40 Hz DC	
10ms/10ms	
<15% (Sr)	
<1.0% (Sr)	
IP67	
-25 °C - +70 °C	
<10% (Sr)	
YES	
-	
-	
RFI>3V/m / EFT>1KV / ESD>4KV (contact)	
IEC 60947-5-2,Part 7.4.1 / IEC 60947-5-2,Part 7.4.2	
PBT	

<u>FQP1-3510U-A2L2T</u>	<u>9</u>	<u>FQP2-3515U-A2L2T</u>
<u>FQP1-3510U-B2L2T</u>	<u>10</u>	<u>FQP2-3515U-B2L2T</u>

4 φ 2x0.34	
Approx.110 g	



Note:

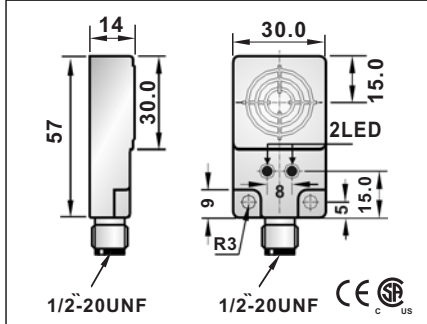
Coming Soon : Part numbers with underline
In Preparation: Part numbers with a line through the middle

Q14、Q42、Q25

AC/DC INDUCTIVE PROXIMITY SWITCH SQUARE CONNECTOR TYPE

AC/DC INDUCTIVE PROXIMITY SWITCH SQUARE CONNECTOR TYPE

Q 14
●
10 mm
PBT RESIN
●

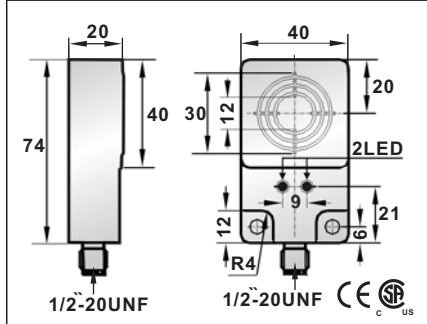


20-250 VAC, 50-60 Hz; 20-250 VDC
DC RIPPLE <10%
<2.5mA
200mA
<2.5mA
2.2A for 20ms
5mA
<=10 VAC : <=8 VDC
25HZ AC; 40 Hz DC
10ms/10ms
<15% (Sr)
<1.0% (Sr)
IP67
-25 °C - +70 °C
<10% (Sr)
YES
-
-
RFI>3V/m / EFT>1KV / ESD>4KV (contact)
IEC 60947-5-2,Part 7.4.1 / IEC 60947-5-2,Part 7.4.2
PBT

<u>FQP1-1410U-AUL3T</u>	58
<u>FQP1-1410U-BUL3T</u>	58

Approx.80 g

Q 42
●
20 mm
PBT RESIN
●

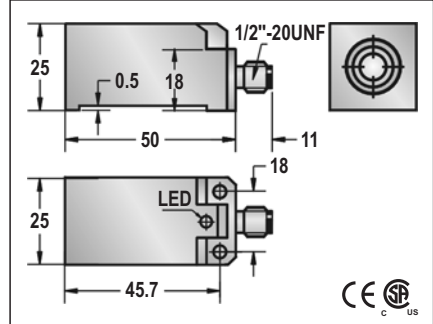


20-250 VAC, 50-60 Hz; 20-250 VDC
DC RIPPLE <10%
<2.5mA
200mA
<2.5mA
2.2A for 20ms
5mA
<=10 VAC : <=8 VDC
25HZ AC; 40 Hz DC
10ms/10ms
<15% (Sr)
<1.0% (Sr)
IP67
-25 °C - +70 °C
<10% (Sr)
YES
-
-
RFI>3V/m / EFT>1KV / ESD>4KV (contact)
IEC 60947-5-2,Part 7.4.1 / IEC 60947-5-2,Part 7.4.2
PBT

<u>FQP1-2020U-AUL3T</u>	58
<u>FQP1-2020U-BUL3T</u>	58

Approx.110 g

Q25
●
10 mm
PBT RESIN
●



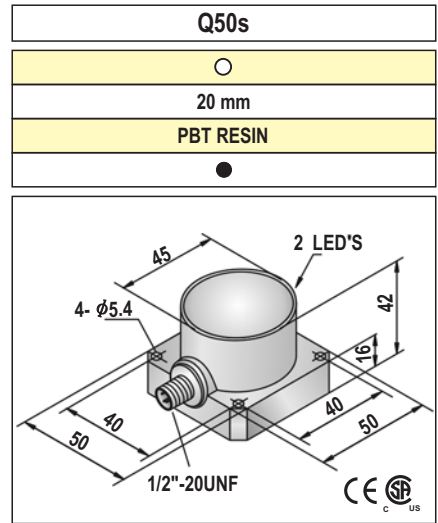
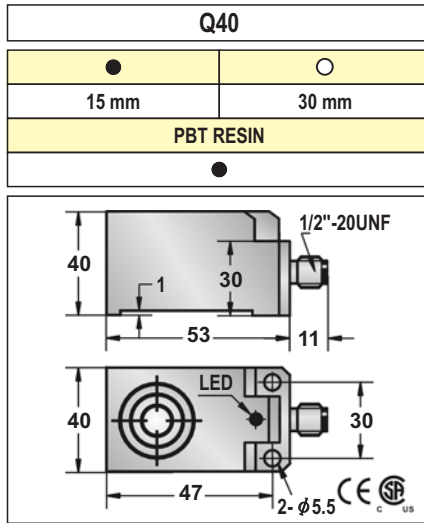
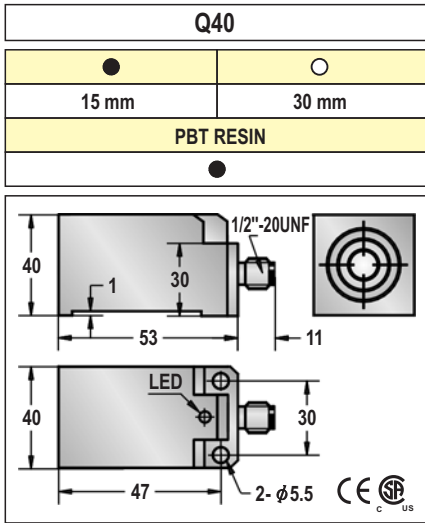
20-250 VAC, 50-60 Hz; 20-250 VDC
DC RIPPLE <10%
<2.5mA
200mA
<2.5mA
2.2A for 20ms
5mA
<=10 VAC : <=8 VDC
25HZ AC; 40 Hz DC
10ms/10ms
<15% (Sr)
<1.0% (Sr)
IP67
-25 °C - +70 °C
<10% (Sr)
YES
-
-
RFI>3V/m / EFT>1KV / ESD>4KV (contact)
IEC 60947-5-2,Part 7.4.1 / IEC 60947-5-2,Part 7.4.2
PBT

<u>FQP1-2510U-AUL3F</u>	58
<u>FQP1-2510U-BUL3F</u>	58

Approx.90 g

Note:
Coming Soon: Part numbers with underline

AC/DC INDUCTIVE PROXIMITY SWITCH SQUARE CONNECTOR TYPE



20-250 VAC, 50-60 Hz; 20-250 VDC
DC RIPPLE <10%
<2.5mA
200mA
<2.5mA
2.2A for 20ms
5mA
<=10 VAC ; <=8 VDC
25HZ AC; 40 Hz DC
10ms/10ms
<15% (Sr)
<1.0% (Sr)
IP67
-25 °C - +70 °C
<10% (Sr)
YES
-
-
RFI>3V/m / EFT>1KV / ESD>4KV (contact)
IEC 60947-5-2,Part 7.4.1 / IEC 60947-5-2,Part 7.4.2
PBT

20-250 VAC, 50-60 Hz; 20-250 VDC
DC RIPPLE <10%
<2.5mA
200mA
<2.5mA
2.2A for 20ms
5mA
<=10 VAC ; <=8 VDC
25HZ AC; 40 Hz DC
10ms/10ms
<15% (Sr)
<1.0% (Sr)
IP67
-25 °C - +70 °C
<10% (Sr)
YES
-
-
RFI>3V/m / EFT>1KV / ESD>4KV (contact)
IEC 60947-5-2,Part 7.4.1 / IEC 60947-5-2,Part 7.4.2
PBT

20-250 VAC, 50-60 Hz; 20-250 VDC
DC RIPPLE <10%
<2.5mA
200mA
<2.5mA
2.2A for 20ms
5mA
<=10 VAC ; <=8 VDC
25HZ AC; 40 Hz DC
10ms/10ms
<15% (Sr)
<1.0% (Sr)
IP67
-25 °C - +70 °C
<10% (Sr)
YES
-
-
RFI>3V/m / EFT>1KV / ESD>4KV (contact)
IEC 60947-5-2,Part 7.4.1 / IEC 60947-5-2,Part 7.4.2
PBT

FQP1-4515U-AUL3F	58	FQP2-4530U-AUL3F
FQP1-4515U-BUL3F	58	FQP2-4530U-BUL3F

FQP1-4515U-AUL3T	58	FQP2-4530U-AUL3T
FQP1-4515U-BUL3T	58	FQP2-4530U-BUL3T

FQP2-5020U-AUS3T		58
FQP2-5020U-BUS3T		58

Approx.155 g

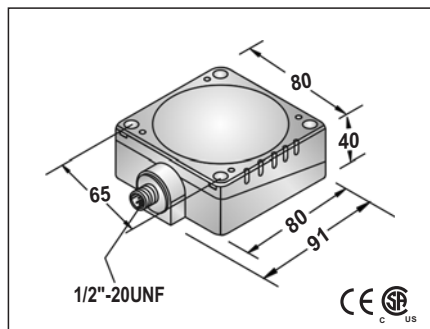
Approx.155 g

Approx.21 g

Note:
In Preparation: Part numbers with a line through the middle

AC/DC INDUCTIVE PROXIMITY SWITCH SQUARE CONNECTOR TYPE

Q80	
●	○
40 mm	50 mm
PBT RESIN	
●	

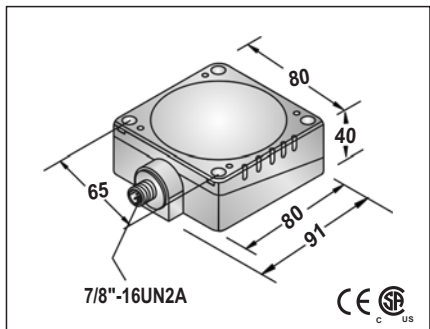


20-250 VAC, 50-60 Hz; 20-250 VDC
DC RIPPLE <10%
<2.5mA
200mA
<2.5mA
2.2A for 20ms
5mA
<=10 VAC : <=8 VDC
25HZ AC; 40 Hz DC
10ms/10ms
<15% (Sr)
<1.0% (Sr)
IP67
-25 °C - +70 °C
<10% (Sr)
YES
-
-
RFI>3V/m / EFT>1KV / ESD>4KV (contact)
IEC 60947-5-2, Part 7.4.1 / IEC 60947-5-2, Part 7.4.2
PBT

FQP1-8040U-AUL3T	54	FQP2-8050U-AUL3T
FQP1-8040U-BUL3T	54	FQP2-8050U-BUL3T

Approx.85 g

Q80	
●	○
40 mm	50 mm
PBT RESIN	
●	



20-250 VAC, 50-60 Hz; 20-250 VDC
DC RIPPLE <10%
<2.5mA
200mA
<2.5mA
2.2A for 20ms
5mA
<=10 VAC : <=8 VDC
25HZ AC; 40 Hz DC
10ms/10ms
<15% (Sr)
<1.0% (Sr)
IP67
-25 °C - +70 °C
<10% (Sr)
YES
-
-
RFI>3V/m / EFT>1KV / ESD>4KV (contact)
IEC 60947-5-2, Part 7.4.1 / IEC 60947-5-2, Part 7.4.2
PBT

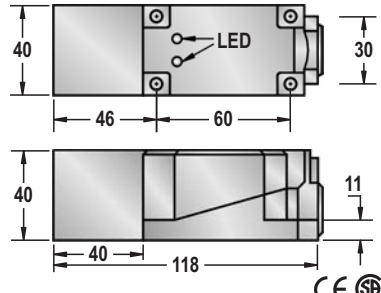
FQP1-8040U-AZL2T	62	FQP2-8050U-AZL2T
FQP1-8040U-BZL2T	62	FQP2-8050U-BZL2T

Approx.85 g

AC/DC INDUCTIVE PROXIMITY SWITCH 5 WAY ROTATABLE SENSING

AC/DC INDUCTIVE PROXIMITY SWITCH 5 WAY
ROTATABLE SENSING HEAD TYPE

Q40	
●	
15 mm	
PBT RESIN	
●	

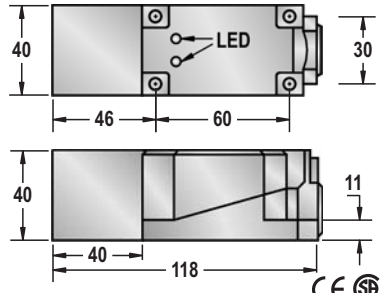


20-250 VAC, 50-60 Hz; 20-250 VDC	
DC RIPPLE <10%	
<2.5mA	
200mA	
<2.5mA	
2.2A for 20ms	
5mA	
<=10 VAC :<=8 VDC	
25HZ AC; 40 Hz DC	
10ms/10ms	
<15% (Sr)	
<1.0% (Sr)	
IP67	
-25°C - +70°C	
<10% (Sr)	
YES	
-	
-	
RFI>3V/m / EFT>1KV / ESD>4KV (contact)	
IEC 60947-5-2, Part 7.4.1 / IEC 60947-5-2, Part 7.4.2	
PBT	

FQP1-4015U-A2L	9
FQP1-4015U-B2L	10

Approx.250 g	
--------------	--

Q40	
○	
20 mm	
PBT RESIN	
●	

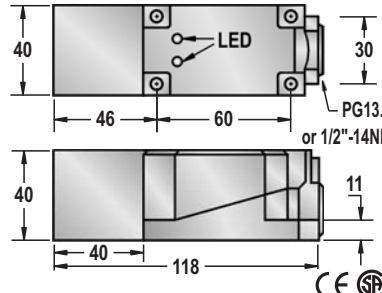


20-250 VAC, 50-60 Hz; 20-250 VDC	
DC RIPPLE <10%	
<2.5mA	
200mA	
<2.5mA	
2.2A for 20ms	
5mA	
<=10 VAC :<=8 VDC	
25HZ AC; 40 Hz DC	
10ms/10ms	
<15% (Sr)	
<1.0% (Sr)	
IP67	
-25°C - +70°C	
<10% (Sr)	
YES	
-	
-	
RFI>3V/m / EFT>1KV / ESD>4KV (contact)	
IEC 60947-5-2, Part 7.4.1 / IEC 60947-5-2, Part 7.4.2	
PBT	

FQP2-4020U-A2L	9
FQP2-4020U-B2L	10

Approx.250 g	
--------------	--

Q40	
○	
30 mm	
PBT RESIN	
●	



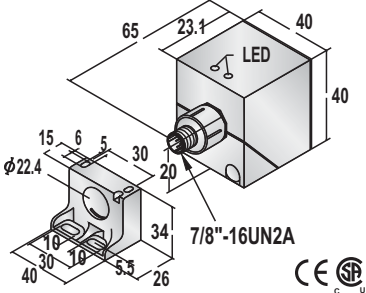
20-250 VAC, 50-60 Hz; 20-250 VDC	
DC RIPPLE <10%	
<2.5mA	
200mA	
<2.5mA	
2.2A for 20ms	
5mA	
<=10 VAC :<=8 VDC	
25HZ AC; 40 Hz DC	
10ms/10ms	
<15% (Sr)	
<1.0% (Sr)	
IP67	
-25°C - +70°C	
<10% (Sr)	
YES	
-	
-	
RFI>3V/m / EFT>1KV / ESD>4KV (contact)	
IEC 60947-5-2, Part 7.4.1 / IEC 60947-5-2, Part 7.4.2	
PBT	

FQP2-4030U-A2L	9
FQP2-4030U-B2L	10

Approx.250 g	
--------------	--

AC/DC INDUCTIVE PROXIMITY SWITCH 5 WAY ROTATABLE SENSING

AC/DC INDUCTIVE PROXIMITY SWITCH 5 WAY ROTATABLE SENSING HEAD TYPE

Q40s		
●		
15 mm		
PBT RESIN		
●		
 <p>65 23.1 40 40 LED 15 6 5 30 20 φ22.4 10 10 5.5 26 7/8"-16UN2A CE SF</p>		
20-250 VAC, 50-60 Hz; 20-250 VDC		
DC RIPPLE <10%		
<2.5mA		
200mA		
<2.5mA		
2.2A for 20ms		
5mA		
<=10 VAC ; <=8 VDC		
25HZ AC; 40 Hz DC		
10ms/10ms		
<15% (Sr)		
<1.0% (Sr)		
IP67		
-25°C - +70°C		
<10% (Sr)		
YES		
-		
-		
RFI>3V/m / EFT>1KV / ESD>4KV (contact)		
IEC 60947-5-2,Part 7.4.1 / IEC 60947-5-2,Part 7.4.2		
PBT		
FQP1-4015U-AZS2	62	
FQP1-4015U-BZS2	62	
Approx.250 g		